

ORDER EXAMPLE

To correctly order this model follow the example specified below:

PRODUCT

BA20#080050
OB1
ST
9010

BA20#080050 OB1 ST 9010

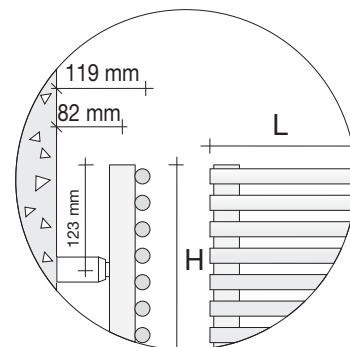
Article code found in the prices table on the side
 Connector code found in the table here below
 Standard Support code found in the table here below
 Colour code found in the TUBES COLOUR CHART

ACCESSORIES

Z1TLNR#AN R12 9010
Z1RAC#R12CRO

Valve and Lockshield - Copper angle 1/2" for copper pipes or multi-layer pipes - White RAL 9010
 12mm diam. copper pipe unions for Valve+Lockshield – chrome finish (2)

For other types of Valves see the table below or those on pages 217 - 218 - 219 - 220.



CONNECTORS

The towel warmers are supplied with "OB1" connectors.

If different connectors are required, strictly indicate this in the order. **IMPORTANT:** the connectors of towel warmers and radiators connected to the same system should all have the same configuration otherwise operating problems could occur.

Standard connectors

Will be supplied if not otherwise specified when placing the order

Rear connector

Supplied on request WITH an additional price charge of €

Custom-made connectors

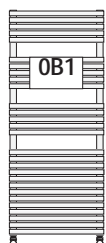
Supplied on request WITH an additional price charge of €

Connectors on request

Supplied on request WITHOUT an additional price charge

Custom-made connectors

Supplied on request WITH an additional price charge of €



Inter-axis
l=L-3,4 cm



l=L-3,4 cm
 rear connector for connection to **GVR**



Inter-axis
l=L+13,8 cm



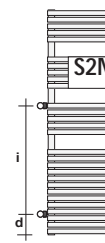
Inter-axis
l=H-7,0 cm



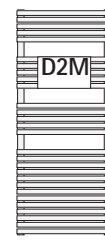
Inter-axis
l=H-7,0 cm



single pipe



Specify "i" and "d"
 i min.=5 cm
 d min.=2 cm



SUPPORTS

The towel warmers are supplied with standard supports (code ST) that include wall fixing shelves, pressure anchors and manual Vent Valve.

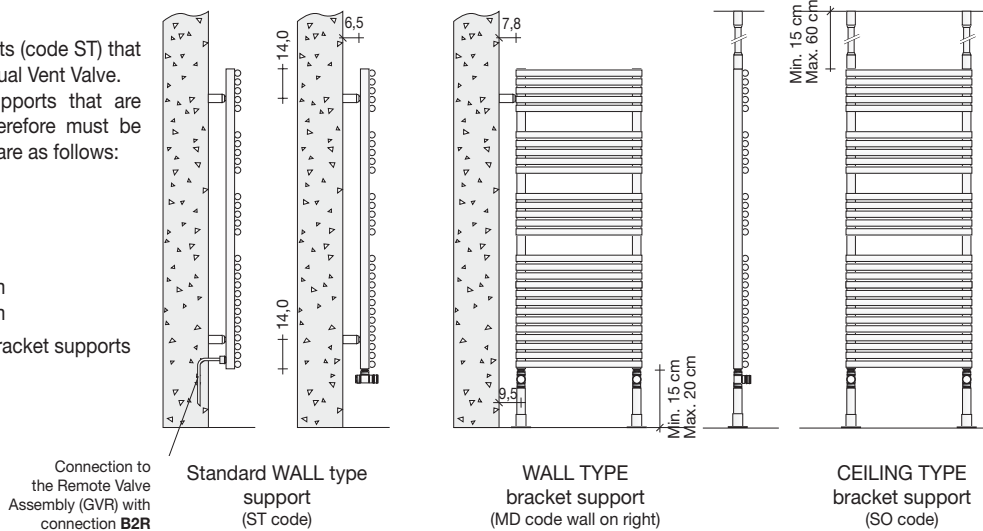
On request they can be ordered with bracket supports that are permanently welded on the towel warmers and therefore must be specified when placing the order, their code and cost are as follows:

- code MD WALL TYPE bracket support on the Right €
- code MS WALL TYPE bracket support on the Left €
- code SO CEILING TYPE bracket support €

LIMITS

- WALL TYPE bracket support Width max 60.0 cm
- CEILING TYPE bracket support Width max 80.0 cm

The Chrome plated version cannot be supplied with bracket supports



ADDITIONAL CHARGES FOR COLOURS AND FINISHES (see the official Tubes Colour Chart)

RAL colours not included in the colour chart + 30% more than Pure white price (cat. C0), for colours according to samples request feasibility and estimate.

PLATED finishes: NOT available

Standard VALVES (for Valves and Lockshields, valves that can be fitted with thermostat, Thermostatic valves, or Single pipe, Twin pipe, Stainless steel and thermostatic heads see pages 217 - 218 - 219 - 220)

	code	Description	Price
	Z1TLNR#ANR129010	Valve and Lockshield - ValCOLOR Copper Angle 1/2" RAL 9010 Glossy Pure White	€
	Z1RAC#R12CRO	2 copper unions diam. 12 mm for ValCOLOR Chrome finish Valve+Lockshield	€
	ZRCF#	Kit with pipe collars for towel warmers	€

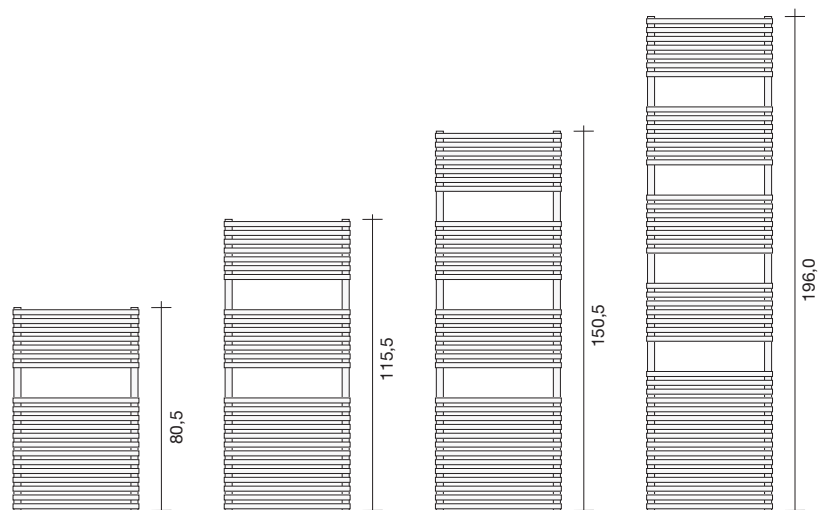
	code	Description	Price
	GVR#	Valve and Lockshield assembly for recessed remote connection, CHROME finish	€
	GVR#	Valve and Lockshield assembly for recessed remote connection, COLOUR finish	€

BATH 20

Price per radiator with White RAL 9010 finish and standard connectors - VAT and transport charges excluded

EN 442

HW



Code	H (cm)	L (cm)	Inter-axis [✦] (cm)	Water Content (l)	Coloured version		Category C0 RAL 9010 (€)	Category C1/C2 (€)	Category C3 (€)
					Watts ΔT 50°C	Watts ΔT 30°C			
BA20#080040	80,5	40,0	36,6	3,20	374	203			
BA20#080435		43,5	40	3,48	402	219			
BA20#080050		50,0	46,6	4,00	454	247			
BA20#080535		53,5	50	4,28	483	263			
BA20#080060		60,0	56,6	4,80	535	291			
BA20#080635		63,5	60	5,08	563	307			
BA20#120040	115,5	40,0	36,6	4,50	512	274			
BA20#120435		43,5	40	4,89	548	295			
BA20#120050		50,0	46,6	5,63	616	224			
BA20#120535		53,5	50	6,02	652	350			
BA20#120060		60,0	56,6	6,75	719	388			
BA20#120635		63,5	60	7,14	755	410			
BA20#150040	150,5	40,0	36,6	5,50	656	350			
BA20#150435		43,5	40	5,98	702	377			
BA20#150050		50,0	46,6	6,88	786	424			
BA20#150535		53,5	50	7,36	832	444			
BA20#150060		60,0	56,6	8,25	916	493			
BA20#150635		63,5	60	8,73	962	521			
BA20#190040	196,0	40,0	36,6	7,10	872	460			
BA20#190435		43,5	40	7,72	929	494			
BA20#190050		50,0	46,6	8,88	1036	555			
BA20#190535		53,5	50	9,50	1094	579			
BA20#190060		60,0	56,6	10,65	1201	641			
BA20#190635		63,5	60	11,27	1258	676			

✦ Inter-axis calculated with standard OB1 connectors

Towel warmers available in stock with OB1 connector and in White RAL 9010 colour

ORDER EXAMPLE

To correctly order this model follow the example specified below:

PRODUCT

BA20 i5#120050
0i5
ST
9010

BA20 i5#120050 0i5 ST 9010

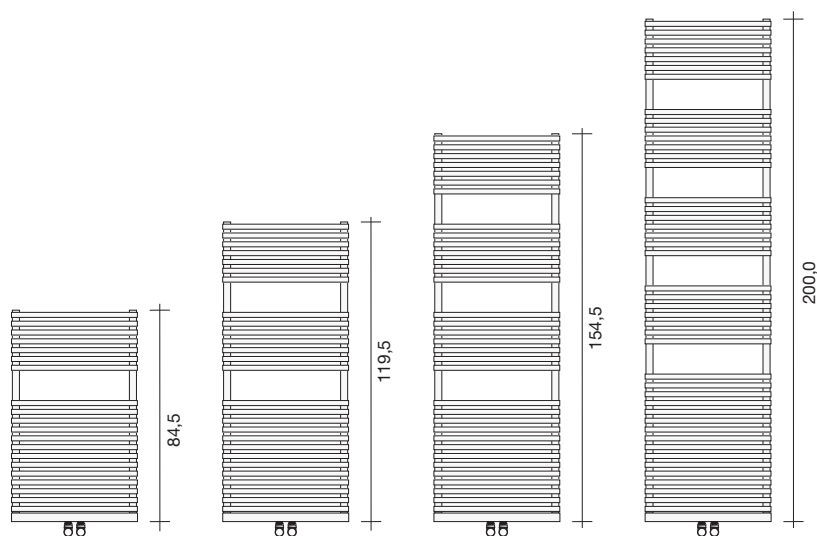
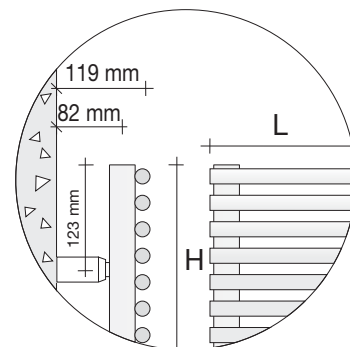
Article code found in the prices table here below
Connection code for 5 cm interaxis
Standard Support code found in the table here below
Colour code found in the TUBES COLOUR CHART

ACCESSORIES

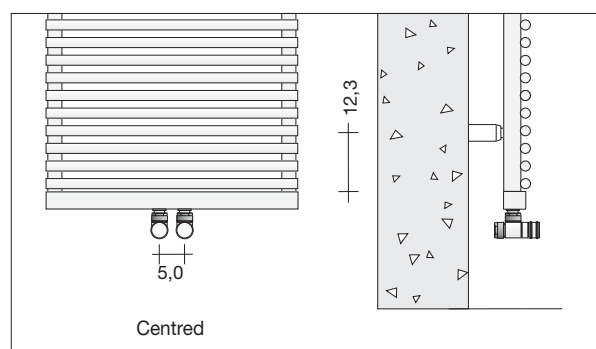
Z1TLNR#AN R12 9010
Z1RAC#R12CRO

Valve and Lockshield - Copper angle 1/2" for copper pipes or multi-layer pipes - White RAL 9010
12mm diam. copper pipe unions for Valve+Lockshield - chrome finish (2)

For other types of Valves see the table below or those on pages 217 - 218 - 219 - 220.



Technical diagram for BA20 i5 connection



ADDITIONAL CHARGES FOR COLOURS AND FINISHES (see the official Tubes Colour Chart)

RAL colours not included in the colour chart + 30% more than Pure white price (cat. C0), for colours according to samples request feasibility and estimate.
PLATED finishes: NOT available

Standard VALVES (for Valves and Lockshields, valves that can be fitted with thermostat, Thermostatic valves, or Single pipe, Twin pipe, Stainless steel and thermostatic heads see pages 217 - 218 - 219 - 220)

	code	Description	Price		code	Description	Price 9010	Price Cromo
	Z1TLNR#ANR129010	Valve and Lockshield - ValCOLOR Copper Angle 1/2" RAL 9010 Glossy Pure White	€			Z1TL5NR#ANR12SX... Valves with 5 cm interaxis 5 cm - Left	€	€
	Z1RAC#R12CRO	2 copper unions diam. 12 mm for ValCOLOR Chrome finish Valve+Lockshield	€			Z1TL5NR#ANR12DX... Valves with 5 cm interaxis 5 cm - Right	€	€
	ZRCF#	Kit with pipe collars for towel warmers	€					

BATH 20 i5

Towel warmer composed of horizontal fusion welded elements in 20 mm diameter steel with 34 mm diam. manifolds



Code	H (cm)	L (cm)	Inter-axis (cm)	Water Content (l)	Coloured version		Category C0 RAL 9010 (€)	Category C1/C2 (€)	Category C3 (€)
					Watts ΔT 50°C	Watts ΔT 30°C			
BA20I5#080040	84,5	40,0	5	3,20	374	203			
BA20I5#080050		50,0	5	4,00	454	219			
BA20I5#080060		60,0	5	4,80	535	247			
BA20I5#120040	119,5	40,0	5	4,50	512	274			
BA20I5#120050		50,0	5	5,63	616	295			
BA20I5#120060		60,0	5	6,75	719	224			
BA20I5#150040	154,5	40,0	5	5,50	656	350			
BA20I5#150050		50,0	5	6,88	786	377			
BA20I5#150060		60,0	5	8,25	916	424			
BA20I5#190040	200,0	40,0	5	7,10	872	460			
BA20I5#190050		50,0	5	8,88	1036	494			
BA20I5#190060		60,0	5	10,65	1201	555			

For correction factors different to ΔT 50°C see page 230

BATH 20 Electric and Mixed

Towel warmer composed of horizontal fusion welded elements in 20 mm diameter steel with 34 mm diam. manifolds



ORDER EXAMPLE

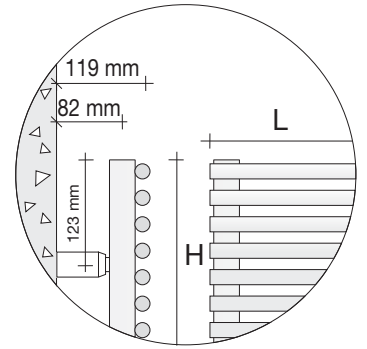
To correctly order this model follow the example specified below:

PRODUCT **BA20E#080050 A2 ST 9010**
 BA20E#080050 Article code found in the prices table on the side
 A2 (KA2 x mixed) Resistor code found in the table on the side
 ST Standard Support code, only one support code available for Electric and Mixed version
 9010 Colour code found in the TUBES COLOUR CHART

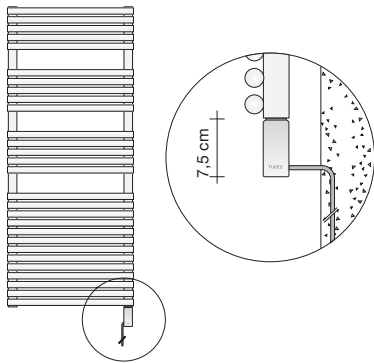
ACCESSORIES ELECTRIC/MIXED version (only for standard STD resistors)
 ZRF004 Kit with wireless room thermostat
 Or ZRF005 Portable, programmable digital wireless chronothermostat kit

ACCESSORIES for MIXED version
 Z1TLNR#AN R12 9010 Valve and Lockshield - Copper angle 1/2" for copper pipes or multi-layer pipes - White RAL 9010
 Z1RAC#R12CRO 12mm diam. copper pipe unions for Valve+Lockshield – chrome finish (2)

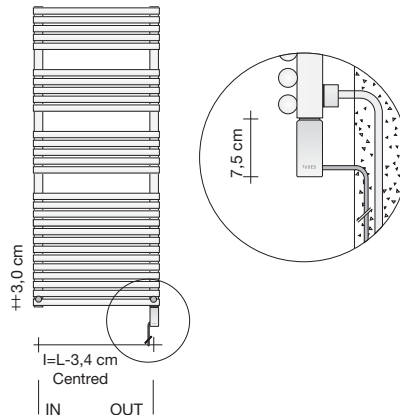
For other types of Valves see the table below or those on pages 217 - 218 - 219 - 220.



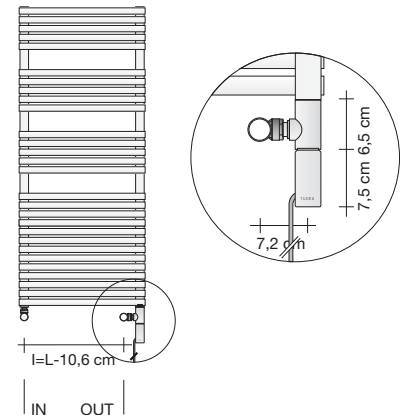
Electric Standard



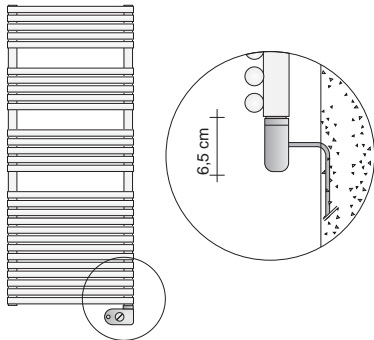
Mixed Standard with Rear Connectors



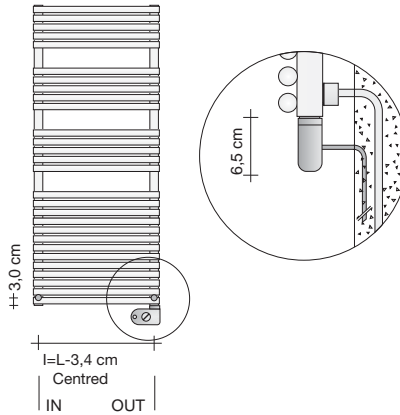
Mixed with Kit and external Connectors



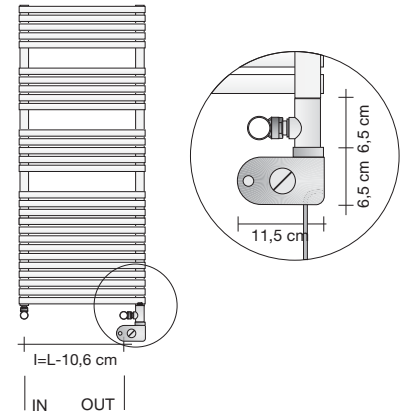
Electric with Room Thermostat



Mixed with Room thermostat and Rear Connectors



Mixed with Kit, Room thermostat and External Connectors



ADDITIONAL CHARGES FOR COLOURS AND FINISHES (see the official Tubes Colour Chart)

For RAL colours not included in the colour chart and according to samples request feasibility and estimate.

PLATED finishes: Nickel Satin finish same price as Glossy CHROME (cat. G1), 14kt GOLD finish (cat. G5) and 24kt gold (cat. G6), request a cost estimate

Standard VALVES (for Valves and Lockshields, valves that can be fitted with thermostat, Thermostatic valves, or Single pipe, Twin pipe, Stainless steel and thermostatic heads see pages 217 - 218 - 219 - 220)

	code	Description	Price
	Z1TLNR#ANR129010	Valve and Lockshield - ValCOLOR Copper Angle 1/2" RAL 9010 Glossy Pure White	€
	Z1RAC#R12CRO	2 copper unions diam. 12 mm for ValCOLOR Chrome finish Valve+Lockshield	€
	ZRCF#	Kit with pipe collars for towel warmers	€

	code	Description	Price
	GVR#	Valve and Lockshield assembly for recessed remote connection, CHROME finish	€
	GVRC#	Valve and Lockshield assembly for recessed remote connection, COLOUR finish	€

BATH 20 Electric and Mixed

Towel warmer composed of horizontal fusion welded elements in 20 mm diameter steel with 34 mm diam. manifolds



The electric version is made with a standard type resistor, the version with the new terminal will be available as of June 2014 with an additional price.

ELECTRIC VERSION

Code	H (cm)	L (cm)	Electric resistor Watts	Category C0 RAL 9010 (€)	Category C1/C2 (€)	Category C3 (€)
BA20E#080040	80,5	40,0	300			
BA20E#080435		43,5	300			
BA20E#080050		50,0	300			
BA20E#080535		53,5	300			
BA20E#080060		60,0	600			
BA20E#080635		63,5	600			
BA20E#120040	115,5	40,0	300			
BA20E#120435		43,5	300			
BA20E#120050		50,0	600			
BA20E#120535		53,5	600			
BA20E#120060		60,0	600			
BA20E#120635		63,5	600			
BA20E#150040	150,5	40,0	600			
BA20E#150435		43,5	600			
BA20E#150050		50,0	600			
BA20E#150535		53,5	600			
BA20E#150060		60,0	900			
BA20E#150635		63,5	900			
BA20E#190040	196,0	40,0	900			
BA20E#190435		43,5	900			
BA20E#190050		50,0	900			
BA20E#190535		53,5	900			
BA20E#190060		60,0	1200			
BA20E#190635		63,5	1200			

MIXED VERSION

Code	H (cm)	L (cm)	Inter-axis (cm)	Electric resistor Watts	Coloured version Watts ΔT 50°C	Chrome plated version Watts ΔT 50°C	Category C0 RAL 9010 (€)	Category C1/C2 (€)	Category C3 (€)
BA20M#080040	80,5	40,0	29,4	300	374	203			
BA20M#080435		43,5	32,9	300	402	219			
BA20M#080050		50,0	39,4	300	454	247			
BA20M#080535		53,5	42,9	300	483	263			
BA20M#080060		60,0	49,4	600	535	291			
BA20M#080635		63,5	52,9	600	563	307			
BA20M#120040	115,5	40,0	29,4	300	512	274			
BA20M#120435		43,5	32,9	300	548	295			
BA20M#120050		50,0	39,4	600	616	224			
BA20M#120535		53,5	42,9	600	652	350			
BA20M#120060		60,0	49,4	600	719	388			
BA20M#120635		63,5	52,9	600	755	410			
BA20M#150040	150,5	40,0	29,4	600	656	350			
BA20M#150435		43,5	32,9	600	702	377			
BA20M#150050		50,0	39,4	600	786	424			
BA20M#150535		53,5	42,9	600	832	444			
BA20M#150060		60,0	49,4	900	916	493			
BA20M#150635		63,5	52,9	900	962	521			
BA20M#190040	196,0	40,0	29,4	900	872	460			
BA20M#190435		43,5	32,9	900	929	494			
BA20M#190050		50,0	39,4	900	1036	555			
BA20M#190535		53,5	42,9	900	1094	579			
BA20M#190060		60,0	49,4	1200	1201	641			
BA20M#190635		63,5	52,9	1200	1258	676			

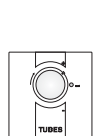
WIRELESS THERMOSTATS

Code	Description	Price (€)
ZRF004	Kit with wall type room thermostat (Wireless) + Receiver	
ZRF005	Portable, digital wireless chronothermostat kit with weekly programming + Receiver	

CODES/ PRICES TABLE FOR ELECTRIC AND MIXED VERSION RESISTORS

Model	300 W			600 W			900 W			1200 W		
	Resistor code For Electric	Resistor code For Mixed	Price (€)	Resistor code For Electric	Resistor code For Mixed	Price (€)	Resistor code For Electric	Resistor code For Mixed	Price (€)	Resistor code For Electric	Resistor code For Mixed	Price (€)
Standard (STD) White cord	A2	KA2		B2	KB2		C2	KC2		D2	KD2	
Standard (STD) Grey cord	G2	KG2		H2	KH2		I2	KI2		L2	KL2	
Room thermostat - White	A5	KA5		B5	KB5		C5	KC5		D5	KD5	
Room thermostat - Grey	A7	KA7		B7	KB7		C7	KC7		D7	KD7	
Radiator Thermostat - White	N1	N.D.		N2	N.D.		N3	N.D.		N4	N.D.	
Radiator Thermostat - Chrome	N5	N.D.		N6	N.D.		N7	N.D.		N8	N.D.	
White edge cap	U1	KU1		U2	KU2		U3	KU3		U4	KU4	
Grey edge cap	V1	KV1		V2	KV2		V3	KV3		V4	KV4	
Chrome edge cap	Z1	KZ1		Z2	KZ2		Z3	KZ3		Z4	KZ4	

Wireless connections

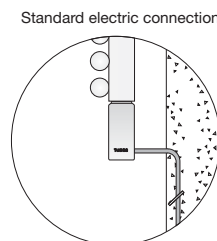
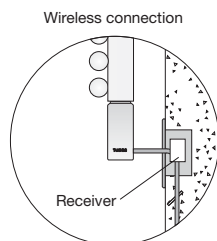


Wireless room thermostat
ZRF004

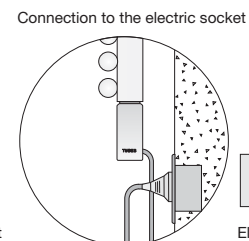


Portable, digital wireless chronothermostat
ZRF005

How to carry out connection to the Electric supply with the new terminal



Remote switch (not supplied)



Electric plug not supplied