

PLANET PV70 - PV70D VERTICAL

Steel radiators made with 70x10 mm rectangular section vertical elements fusion welded to 60x30 mm oval manifolds

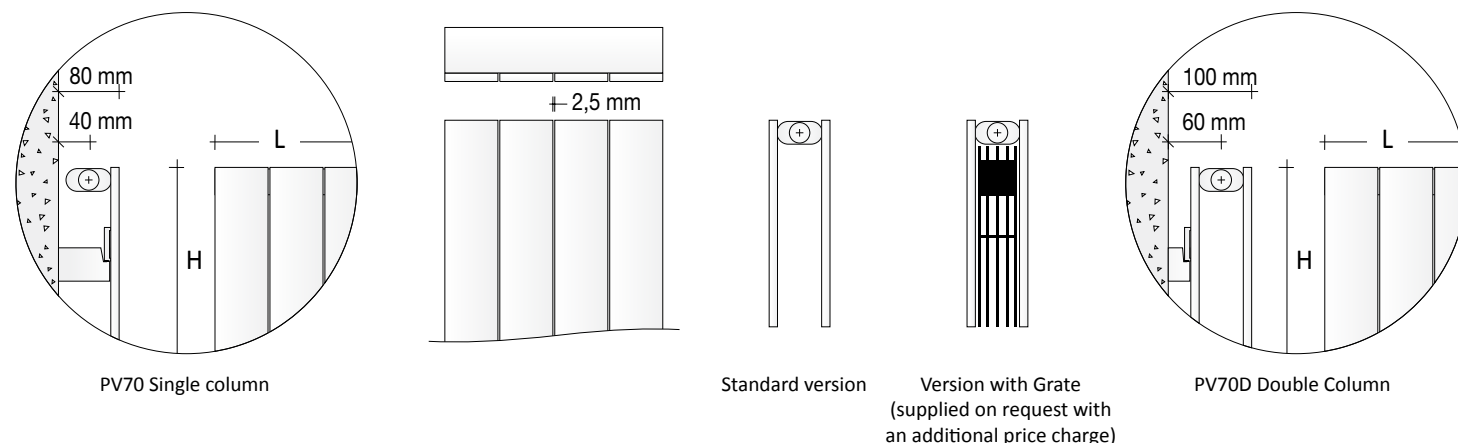
ORDER EXAMPLE

To correctly order this model follow the example specified below:

PRODUCT **PV70#200 004 P1D ST 9010**
 PV70#200 004 Article code composed of Model, Height (200) and Number of elements (004)
 P1D Connector code found in the table here below
 ST Standard Support code
 9010 Colour code found in the TUBES COLOUR CHART

ACCESSORIES
 Z1TLNR#AN R12 9010 Valve and Lockshield - Copper angle 1/2" for copper pipes or multi-layer pipes - White RAL 9010
 Z1RAC#R12CRO 12mm diam. copper pipe unions for Valve+Lockshield – chrome finish (2)

For other types of Valves see the table below or those on pages 271 - 272 - 273 - 274 - 275.



CONNECTORS

The radiators are supplied with "P1D" connectors as shown in the table here below.

If different connectors are required, strictly indicate this in the order. **IMPORTANT:** the connectors of towel warmers and radiators connected to the same system should all have the same configuration otherwise operating problems could occur.

Standard connectors

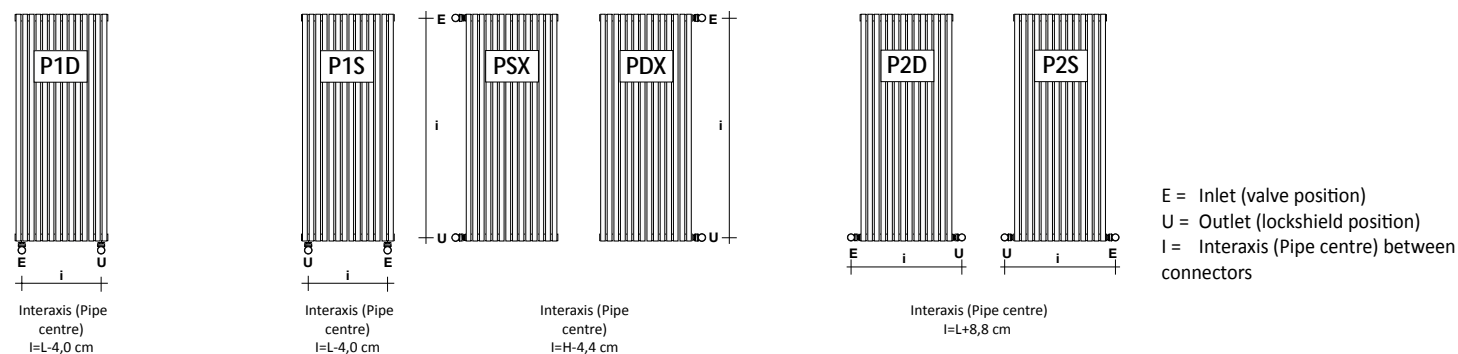
Will be supplied if not otherwise specified when placing the order

Connectors on request

Supplied on request **WITHOUT** an additional price charge

Custom-made connectors

Supplied on request **WITH** an additional price charge of €






E = Inlet (valve position)
 U = Outlet (lockshield position)
 I = Interaxis (Pipe centre) between connectors

WITH SPECIAL MODEL VERTICAL PLANET CAN 'BE MADE WITH CONNECTORS MONOTUBE VALVES MD1 OR MS1.

ADDITIONAL COLOUR CHARGE (see the official Tubes Colour Chart)

Additional colour charges are calculated over the Pure white price (Cat. C0), for the other categories the additional charges herein below are applicable: Category C1 and C2 +10% - C3 Category +20% - RAL not included in the colour chart +30%. According to samples : Request feasibility and cost estimate.

STANDARD VALVES (for Valves and Lockshields, valves that can be fitted with thermostat, Thermostatic valves, or Single pipe, Twin pipe, Stainless steel and thermostatic heads see pages 271, 272, 273, 274 und 275 of the Price List)

code / Description	Price
 Z1TLNR#ANR129010 Paired Valve and Lockshield copper Angle 1/2" WHITE	€
 Z1RAC#R12CRO 2 copper unions diam. 12 mm	CHROME €
 ZRCF2# Kit with CHROME-PLATED pipe collars	CHROME €

PLANET PV70 VERTICAL SINGLE

Price per radiator with White RAL 9010 finish and standard connectors - VAT and transport charges excluded

Height		120		130		140		150		160		170		180	
N° elements	Width (cm)	Watts ΔT 50°C	Price (€)	Watts ΔT 50°C	Price (€)	Watts ΔT 50°C	Price (€)	Watts ΔT 50°C	Price (€)	Watts ΔT 50°C	Price (€)	Watts ΔT 50°C	Price (€)	Watts ΔT 50°C	Price (€)
3	21,5	321		346		371		395		419		444		468	
4	28,8	429		462		494		527		559		592		625	
5	36,0	526		566		606		646		686		726		765	
6	43,3	623		670		717		764		811		859		906	
7	50,5	716		771		825		879		933		988		1042	
8	57,8	810		872		933		995		1056		1117		1178	
9	65,0	902		970		1038		1107		1175		1243		1311	
10	72,3	993		1069		1144		1219		1294		1370		1445	
11	79,5	1083		1165		1247		1329		1411		1494		1576	
12	86,8	1181		1271		1360		1450		1539		1629		1719	
Coefficient «n» Watt ΔT 30°C x Elem.		1,254	51,80	1,254	55,80	1,254	59,70	1,254	63,60	1,254	67,50	1,254	71,50	1,254	75,40

Height		190		200		220		240		260		280		300	
N° elements	Width (cm)	Watts ΔT 50°C	Price (€)	Watts ΔT 50°C	Price (€)	Watts ΔT 50°C	Price (€)	Watts ΔT 50°C	Price (€)	Watts ΔT 50°C	Price (€)	Watts ΔT 50°C	Price (€)	Watts ΔT 50°C	Price (€)
3	21,5	493		518		566		616		666		716		767	
4	28,8	658		690		755		822		888		955		1023	
5	36,0	805		845		926		1007		1088		1171		1254	
6	43,3	953		1000		1096		1191		1288		1385		1483	
7	50,5	1097		1151		1260		1371		1482		1594		1707	
8	57,8	1240		1302		1426		1550		1676		1802		1930	
9	65,0	1380		1449		1586		1725		1865		2006		2148	
10	72,3	1521		1596		1748		1901		2055		2210		2367	
11	79,5	1658		1740		1906		2073		2241		2410		2581	
12	86,8	1809		1898		2079		2261		2444		2629		2815	
Coefficient «n» Watt ΔT 30°C x Elem.		1,254	79,40	1,254	83,30	1,254	91,30	1,254	99,20	1,254	107,30	1,254	115,40	1,254	123,60

PLANET PV70D VERTICAL DOUBLE

Price per radiator with White RAL 9010 finish and standard connectors - VAT and transport charges excluded

Height		120		130		140		150		160		170		180	
N° elements	Width (cm)	Watts ΔT 50°C	Price (€)	Watts ΔT 50°C	Price (€)	Watts ΔT 50°C	Price (€)	Watts ΔT 50°C	Price (€)	Watts ΔT 50°C	Price (€)	Watts ΔT 50°C	Price (€)	Watts ΔT 50°C	Price (€)
3	21,5	500		538		575		612		649		686		722	
4	28,8	667		717		767		816		865		914		963	
5	36,0	817		878		939		999		1059		1119		1179	
6	43,3	966		1038		1110		1181		1252		1323		1394	
7	50,5	1110		1193		1276		1358		1440		1522		1603	
8	57,8	1255		1349		1442		1535		1627		1719		1811	
9	65,0	1396		1500		1604		1707		1810		1912		2014	
10	72,3	1537		1652		1766		1880		1993		2106		2218	
11	79,5	1675		1800		1925		2049		2172		2295		2418	
12	86,8	1827		1964		2100		2235		2369		2504		2638	
Coefficient «n» Watt ΔT 30°C x Elem.		1,254	80,20	1,254	86,20	1,254	92,20	1,254	98,10	1,254	104,00	1,254	109,90	1,254	115,80

Height		190		200		220		240		260		280		300	
N° elements	Width (cm)	Watts ΔT 50°C	Price (€)	Watts ΔT 50°C	Price (€)	Watts ΔT 50°C	Price (€)	Watts ΔT 50°C	Price (€)	Watts ΔT 50°C	Price (€)	Watts ΔT 50°C	Price (€)	Watts ΔT 50°C	Price (€)
3	21,5	759		796		868		941		1014		1086		1159	
4	28,8	1012		1061		1158		1255		1352		1448		1545	
5	36,0	1239		1299		1417		1536		1655		1773		1891	
6	43,3	1465		1535		1676		1816		1956		2096		2236	
7	50,5	1684		1765		1926		2087		2248		2409		2570	
8	57,8	1903		1994		2177		2359		2541		2723		2905	
9	65,0	2116		2218		2421		2624		2826		3028		3231	
10	72,3	2331		2443		2666		2889		3112		3335		3558	
11	79,5	2540		2662		2906		3149		3392		3635		3878	
12	86,8	2771		2904		3170		3435		3700		3965		4230	
Coefficient «n» Watt ΔT 30°C x Elem.		1,254	121,60	1,254	127,50	1,254	139,20	1,254	150,80	1,254	162,40	1,254	174,10	1,254	185,70

ACCESSORIES

Double side closing GRATE * available only for the double version Planet with the same colour as the radiator selected, it must be ordered together with the radiator **

Height	120	130	140	150	160	170	180	190	200	220	240	260	280	300
Additional charge (€)														

* the two grates are installed on both sides of the radiator, one on the right and one on the left.

**When you order the radiator with the grate the code PV70D becomes PV70DC

PLANET PO70 - PO70D HORIZONTAL

Steel radiators made with 70x10 mm rectangular section horizontal elements fusion welded to 60x30 mm oval manifolds

HW

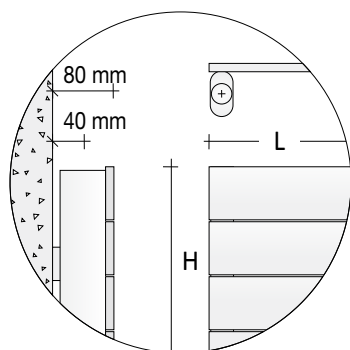
ORDER EXAMPLE

To correctly order this model follow the example specified below:

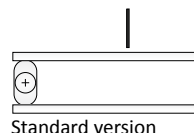
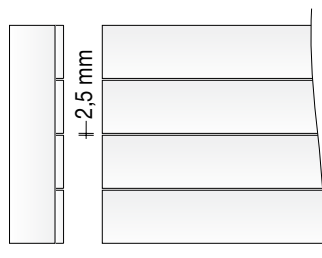
PRODUCT **PO70#200 004 P1D ST 9010**
 PO70#200 004 Article code composed of Model, Height (200) and Number of elements (004)
 R1D Connector code found in the table here below
 ST Standard Support code
 9010 Colour code found in the TUBES COLOUR CHART

ACCESSORIES
 Z1TLNR#AN R12 9010 Valve and Lockshield - Copper angle 1/2" for copper pipes or multi-layer pipes - White RAL 9010
 Z1RAC#R12CRO 12mm diam. copper pipe unions for Valve+Lockshield – chrome finish (2)

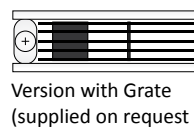
For other types of Valves see the table below or those on pages 271 - 272 - 273 - 274 - 275.



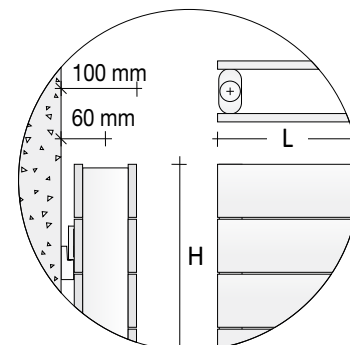
PO70 Single column



Standard version



Version with Grate
(supplied on request with an additional price charge)



PO70D Double Column

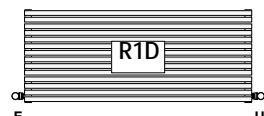
CONNECTORS

The radiators are supplied with "R1D" connectors as shown in the table here below.

If different connectors are required, strictly indicate this in the order. **IMPORTANT:** the connectors of towel warmers and radiators connected to the same system should all have the same configuration otherwise operating problems could occur.

Standard connectors

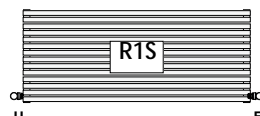
Will be supplied if not otherwise specified when placing the order



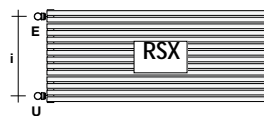
Interaxis (Pipe centre)
I=L+8,8 cm

Connectors on request

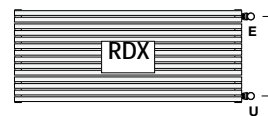
Supplied on request **WITHOUT** an additional price charge



Interaxis (Pipe centre)
I=L+8,8 cm

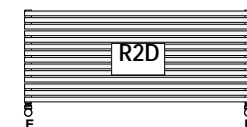


Interaxis (Pipe centre)
I=H-4,0 cm

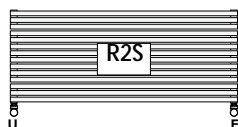


Custom-made connectors

Supplied on request **WITH** an additional price charge of €



Interaxis (Pipe centre)
I=L-5,0 cm



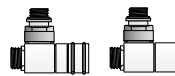


E = Inlet (valve position)
 U = Outlet (lockshield position)
 I = Interaxis (Pipe centre) between connectors

WITH SPECIAL MODEL HORIZONTAL PLANET CAN 'BE MADE WITH CONNECTORS MONOTUBE VALVES MD1 OR MS1.

ADDITIONAL COLOUR CHARGE (see the official Tubes Colour Chart)

Additional colour charges are calculated over the Pure white price (Cat. C0), for the other categories the additional charges herein below are applicable: Category C1 and C2 +10% - C3 Category +20% - RAL not included in the colour chart +30%. According to samples : Request feasibility and cost estimate.

STANDARD VALVES (for Valves and Lockshields, valves that can be fitted with thermostat, Thermostatic valves, or Single pipe, Twin pipe, Stainless steel and thermostatic heads see pages 271, 272, 273, 274 und 275 of the Price List)

	code / Description	Price
	Z1TLNR#ANR129010 Paired Valve and Lockshield copper Angle 1/2" WHITE	€
	Z1RAC#R12CRO 2 copper unions diam. 12 mm	CHROME €
	ZRCF2# Kit with CHROME-PLATED pipe collars	CHROME €

PLANET PO70 - PO70D HORIZONTAL

Price per radiator with White RAL 9010 finish and standard connectors - VAT and transport charges excluded

Width		50		60		70		80		90		100		110		120		130		140		150		160	
N° elements	Height (cm)	Watts	Price (€)	Watts	Price (€)	Watts	Price (€)	Watts	Price (€)	Watts	Price (€)	Watts	Price (€)	Watts	Price (€)	Watts	Price (€)	Watts	Price (€)	Watts	Price (€)	Watts	Price (€)	Watts	Price (€)
		ΔT 50°C	ΔT 30°C x Elem.	ΔT 50°C	ΔT 30°C x Elem.	ΔT 50°C	ΔT 30°C x Elem.	ΔT 50°C	ΔT 30°C x Elem.	ΔT 50°C	ΔT 30°C x Elem.	ΔT 50°C	ΔT 30°C x Elem.	ΔT 50°C	ΔT 30°C x Elem.	ΔT 50°C	ΔT 30°C x Elem.	ΔT 50°C	ΔT 30°C x Elem.	ΔT 50°C	ΔT 30°C x Elem.	ΔT 50°C	ΔT 30°C x Elem.	ΔT 50°C	ΔT 30°C x Elem.
3	21,5	105		126		147		168		189		210		231		252		273		294		315		336	
4	28,8	145		174		203		232		261		290		319		348		377		406		435		464	
5	36,0	183		220		256		293		329		366		403		439		476		512		549		586	
6	43,3	213		256		298		341		383		426		469		511		554		596		639		682	
7	50,5	247		296		346		395		445		494		543		593		642		692		741		790	
8	57,8	286		343		400		457		514		571		628		685		742		799		857		914	
9	65,0	329		395		461		526		592		658		724		790		855		921		987		1053	
10	72,3	380		455		531		607		683		759		835		911		987		1063		1139		1214	
11	79,5	436		523		610		697		784		871		958		1045		1132		1219		1307		1394	
12	86,8	501		601		701		801		901		1001		1101		1201		1301		1401		1502		1602	
Coefficient «n»		1,250	18,40	1,250	22,10	1,250	25,80	1,250	29,50	1,250	33,20	1,250	36,90	1,250	40,60	1,250	44,30	1,250	48,00	1,250	51,70	1,250	55,40	1,250	59,10

Width		170		180		190		200		220		240		260		280		300		320		340	
N° elements	Height (cm)	Watts	Price (€)	Watts	Price (€)	Watts	Price (€)	Watts	Price (€)	Watts	Price (€)	Watts	Price (€)	Watts	Price (€)	Watts	Price (€)	Watts	Price (€)	Watts	Price (€)	Watts	Price (€)
		ΔT 50°C	ΔT 30°C x Elem.	ΔT 50°C	ΔT 30°C x Elem.	ΔT 50°C	ΔT 30°C x Elem.	ΔT 50°C	ΔT 30°C x Elem.	ΔT 50°C	ΔT 30°C x Elem.	ΔT 50°C	ΔT 30°C x Elem.	ΔT 50°C	ΔT 30°C x Elem.	ΔT 50°C	ΔT 30°C x Elem.	ΔT 50°C	ΔT 30°C x Elem.	ΔT 50°C	ΔT 30°C x Elem.	ΔT 50°C	ΔT 30°C x Elem.
3	21,5	357		378		399		420		462		504		546		588		630		672		714	
4	28,8	493		522		551		580		638		696		754		812		870		928		986	
5	36,0	622		659		695		732		805		878		952		1025		1098		1171		1244	
6	43,3	724		767		809		852		937		1022		1108		1193		1278		1363		1448	
7	50,5	840		889		939		988		1087		1186		1284		1383		1482		1581		1680	
8	57,8	971		1028		1085		1142		1256		1370		1485		1599		1713		1827		1941	
9	65,0	1119		1184		1250		1316		1448		1579		1711		1842		1974		2106		2237	
10	72,3	1290		1366		1442		1518		1670		1822		1973		2125		2277		2429		2581	
11	79,5	1481		1568		1655		1742		1916		2090		2265		2439		2613		2787		2961	
12	86,8	1702		1802		1902		2002		2202		2402		2603		2803		3003		3203		3403	
Coefficient «n»		1,250	62,80	1,250	66,50	1,250	70,20	1,250	73,90	1,250	81,30	1,250	88,70	1,250	96,00	1,250	103,40	1,250	110,80	1,250	118,20	1,250	125,60

PLANET PO70D HORIZONTAL DOUBLE

Price per radiator with White RAL 9010 finish and standard connectors - VAT and transport charges excluded

Width		50		60		70		80		90		100		110		120		130		140		150		160	
N° elements	Height (cm)	Watts	Price (€)	Watts	Price (€)	Watts	Price (€)	Watts	Price (€)	Watts	Price (€)	Watts	Price (€)	Watts	Price (€)	Watts	Price (€)	Watts	Price (€)	Watts	Price (€)	Watts	Price (€)	Watts	Price (€)
		ΔT 50°C	ΔT 30°C x Elem.	ΔT 50°C	ΔT 30°C x Elem.	ΔT 50°C	ΔT 30°C x Elem.	ΔT 50°C	ΔT 30°C x Elem.	ΔT 50°C	ΔT 30°C x Elem.	ΔT 50°C	ΔT 30°C x Elem.	ΔT 50°C	ΔT 30°C x Elem.	ΔT 50°C	ΔT 30°C x Elem.	ΔT 50°C	ΔT 30°C x Elem.	ΔT 50°C	ΔT 30°C x Elem.	ΔT 50°C	ΔT 30°C x Elem.	ΔT 50°C	ΔT 30°C x Elem.
3	21,5	206		247		288		330		371		412		453		494		536		577		618		659	
4	28,8	273		327		382		436		491		545		600		654		709		763		818		872	
5	36,0	338		406		473		541		608		676		744		811		879		946		1014		1082	
6	43,3	405		485		566		647		728		809		890		971		1052		1133		1214		1294	
7	50,5	472		566		660		754		849		943		1037		1132		1226		1320		1415		1509	
8	57,8	540		648		756		864		972		1080		1188		1296		1404		1512		1620		1728	
9	65,0	609		730		852		974		1095		1217		1339		1460		1582		1704		1826		1947	
10	72,3	679		815		951		1086		1222		1358		1494		1630		1765		1901		2037		2173	
11	79,5	750		900		1050		1200		1350		1500		1650		1800		1950		2100		2250		2400	
12	86,8	823		988		1152		1317		1481		1646		1811		1975		2140		2304		2469		2634	
Coefficient «n»		1,250	36,20	1,250	36,20	1,250	49,70	1,250	57,10	1,250	64,00	1,250	71,10	1,250	78,30	1,250	85,30	1,250	92,50	1,250	99,50	1,250	107,00	1,250	113,80

Width		170		180		190		200		220		240		260		280		300		320		340	
N° elements	Height (cm)	Watts	Price (€)	Watts	Price (€)	Watts	Price (€)	Watts	Price (€)	Watts	Price (€)	Watts	Price (€)	Watts	Price (€)	Watts	Price (€)	Watts	Price (€)	Watts	Price (€)	Watts	Price (€)
		ΔT 50°C	ΔT 30°C x Elem.	ΔT 50°C	ΔT 30°C x Elem.	ΔT 50°C	ΔT 30°C x Elem.	ΔT 50°C	ΔT 30°C x Elem.	ΔT 50°C	ΔT 30°C x Elem.	ΔT 50°C	ΔT 30°C x Elem.	ΔT 50°C	ΔT 30°C x Elem.	ΔT 50°C	ΔT 30°C x Elem.	ΔT 50°C	ΔT 30°C x Elem.	ΔT 50°C	ΔT 30°C x Elem.	ΔT 50°C	ΔT 30°C x Elem.
3	21,5	700		742		783		824		906		989		1071		1154		1236		1318		1401	
4	28,8	927		981		1036		1090		1199		1308		1417		1526		1635		1744		1853	
5	36,0	1149		1217		1284		1352		1487		1622		1758		1893		2028		2163		2298	
6	43,3	1375		1456		1537		1618		1780		1942		2103		2265		2427		2589		2751	
7	50,5	1603		1697		1792		1886		2075		2263		2452		2640		2829		3018		3206	
8	57,8	1836		1944		2052		2160		2376		2592		2808		3024		3240		3456		3672	
9	65,0	2069		2191		2312		2434		2677		2921		3164		3408		3651		3894		4138	
10	72,3	2309		2444		2580		2716		2988		3259		3531		3802		4074		4346		4617	
11	79,5	2550		2700		2850		3000		3300		3600		3900		4200		4500		4800		5100	
12	86,8	2798		2963		3127		3292		3621		3950		4280		4609		4938		5267		5596	
Coefficient «n»		1,250	120,90	1,250	128,00	1,250	135,10	1,250	142,20	1,250	156,50	1,250	170,60	1,250	184,90	1,250	199,10	1,250	213,30	1,250	227,60	1,250	241,80

ACCESSORIES

Single top closing GRATE* available only for the double version Planet in the same colour as the requested radiator, it must be ordered together with the radiator **

Width	120	130	140	150	160	170	180	190	200	220	240	260	280	300
Additional charge (€)														

* The grate is installed on the upper part of the radiator

**When you order the radiator with the grate the code PO70D becomes PO70DC