

DOUBLE ALIGNED VERTICAL RIFT - hydraulic version

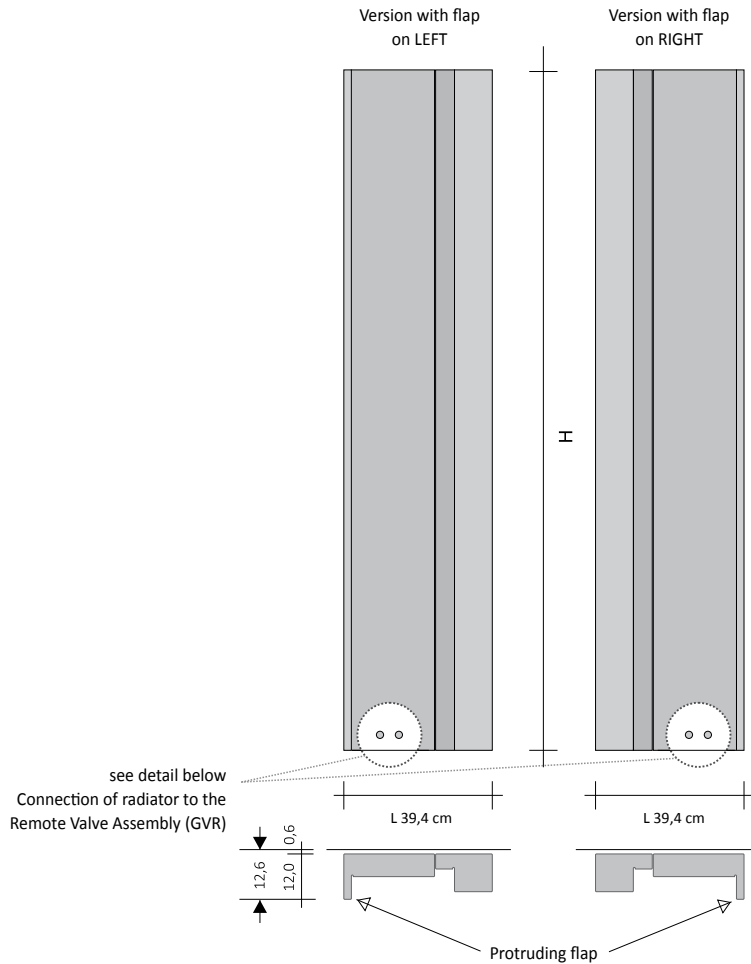
Low water content radiator comprising two vertical modules made entirely of recyclable aluminium

ORDER EXAMPLE To correctly order this model follow the example specified below:

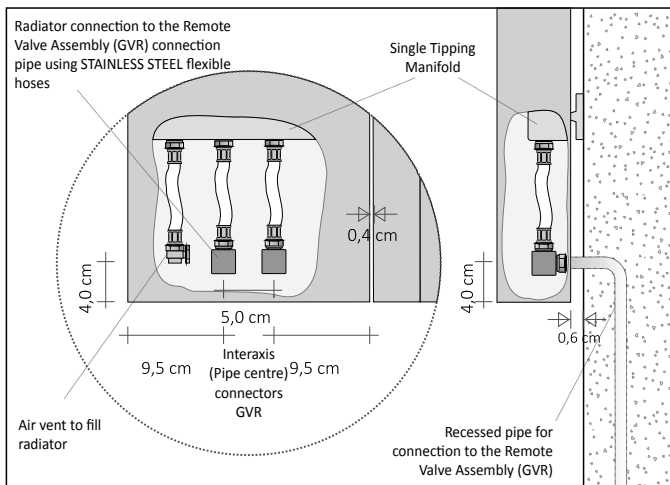
PRODUCT	RFT_VDAI2
RFT_ODD	Double Aligned Vertical Rift
I2	Hydraulic version with two elements
DX	Position of large module flap on the right (DX)
180	Overall height
9010	Colour Code to check in the TUBES COLOUR CHART
R.. / M..	Connection code that defines the type of union for copper pipes or multi-layer pipes found herein at page 276

ACCESSORIES

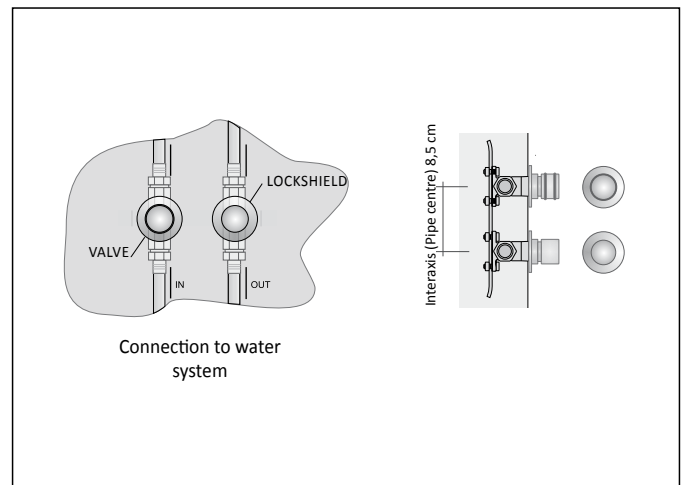
Cod. GVR	One way Remote Valve Assembly, CHROME finish
Cod. GVRCH*	One way Remote Valve Assembly, COLOUR finish*
* Specify the color code, e.g.: 9010, after checking the Tubes Colour Chart	



Connection of radiator to the Remote Valve Assembly (GVR)

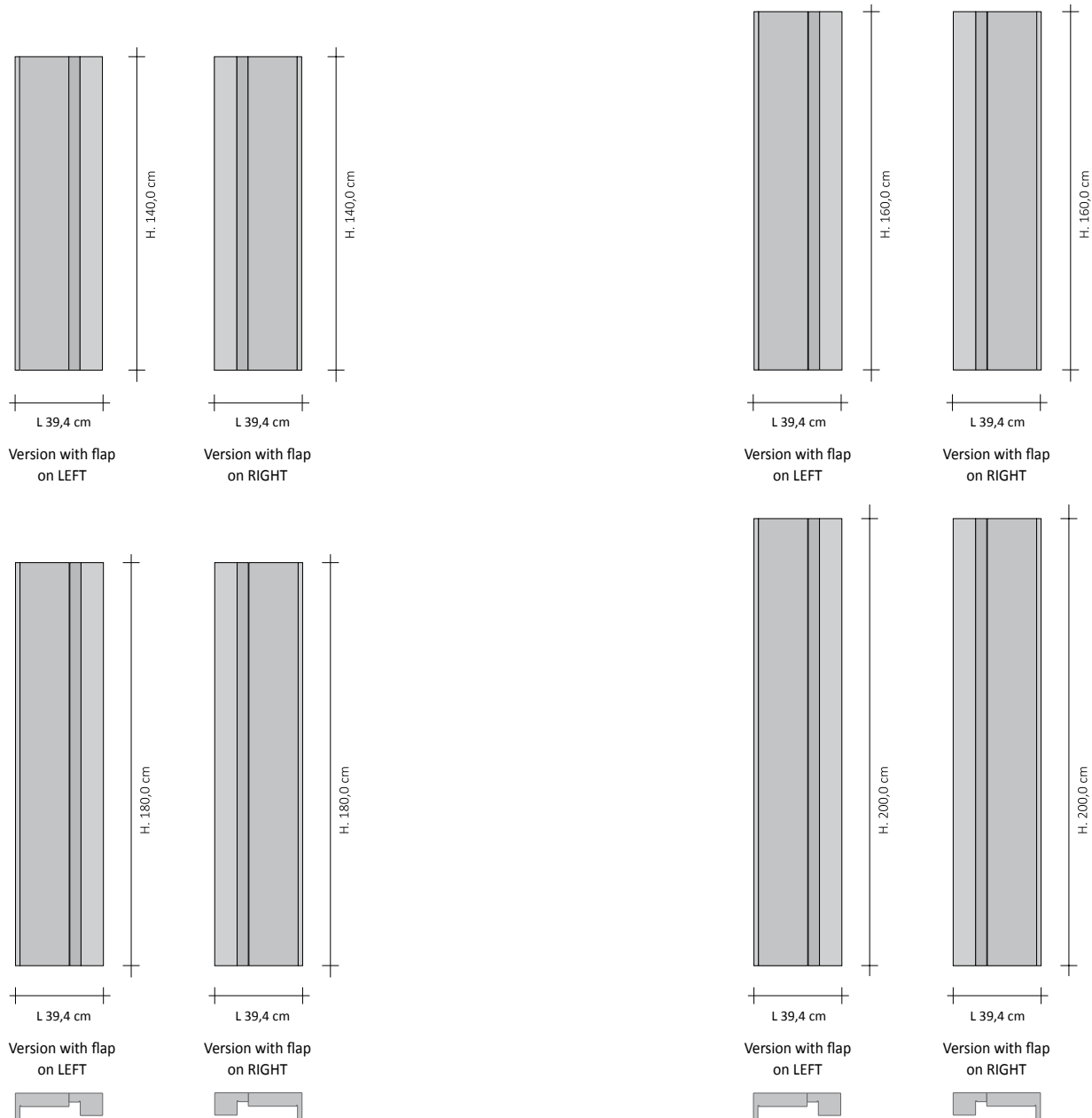


Connection to the Remote Valve Assembly (GVR)



DOUBLE ALIGNED VERTICAL RIFT - hydraulic version

Low water content radiator comprising two vertical modules made entirely of recyclable aluminium



Double Aligned Vertical LEFT and RIGHT - hydraulic

		H (cm)	L (cm)	Thermal yield Watts ΔT 50°C	Thermal yield Watts ΔT 30°C	Water Content (l)	Category C0 RAL 9010 (€)	Category C1/C2 (€)	Category C3 (2) (€)	Multi_Color (2) (€)
RFTVDAI2#SX140	RFTVDAI2#DX140	140,0	39,4	770	407	0,77				
RFTVDAI2#SX160	RFTVDAI2#DX160	160,0	39,4	881	465	0,87				
RFTVDAI2#SX180	RFTVDAI2#DX180	180,0	39,4	991	524	0,98				
RFTVDAI2#SX200	RFTVDAI2#DX200	200,0	39,4	1101	582	1,09				

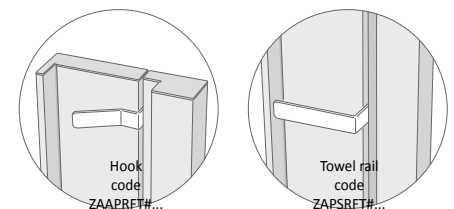
For RAL colours not included in the chart +30 % on the price of White C0 - request feasibility in advance.

(1) Colour GRGR Chrome Grey NOT available for the RIFT model

(2) In MULTICOLOR version add "M" and the different colours should be specified

RIFT accessories

Code	Description	Finishes	Price (€)
ZAAPRFT#...	RIFT hood in Plated Brass	Chrome, Gold, Polished Tin and Black Nickel	
ZAPSRFT#...	Towel rail in Plated Brass	Chrome, Gold, Polished Tin and Black Nickel	



REMOTE VALVE ASSEMBLY. Valve and Lockshield assembly for remote connection (GVR), can be installed up to a maximum distance of 6 metres from the radiator.

Connection of Remote Valve Assembly (GVR) to water system

Code	Description	Finishes	Price (€)
GVR#	RECESSED valve and lockshield assembly for remote connection	CHROME	
GVRC#	RECESSED valve and lockshield assembly for remote connection	COLOUR	

For the GVRC code you must specify the colour required. Colours not available: GRGR

DOUBLE ALIGNED VERTICAL RIFT 24 - hydraulic version

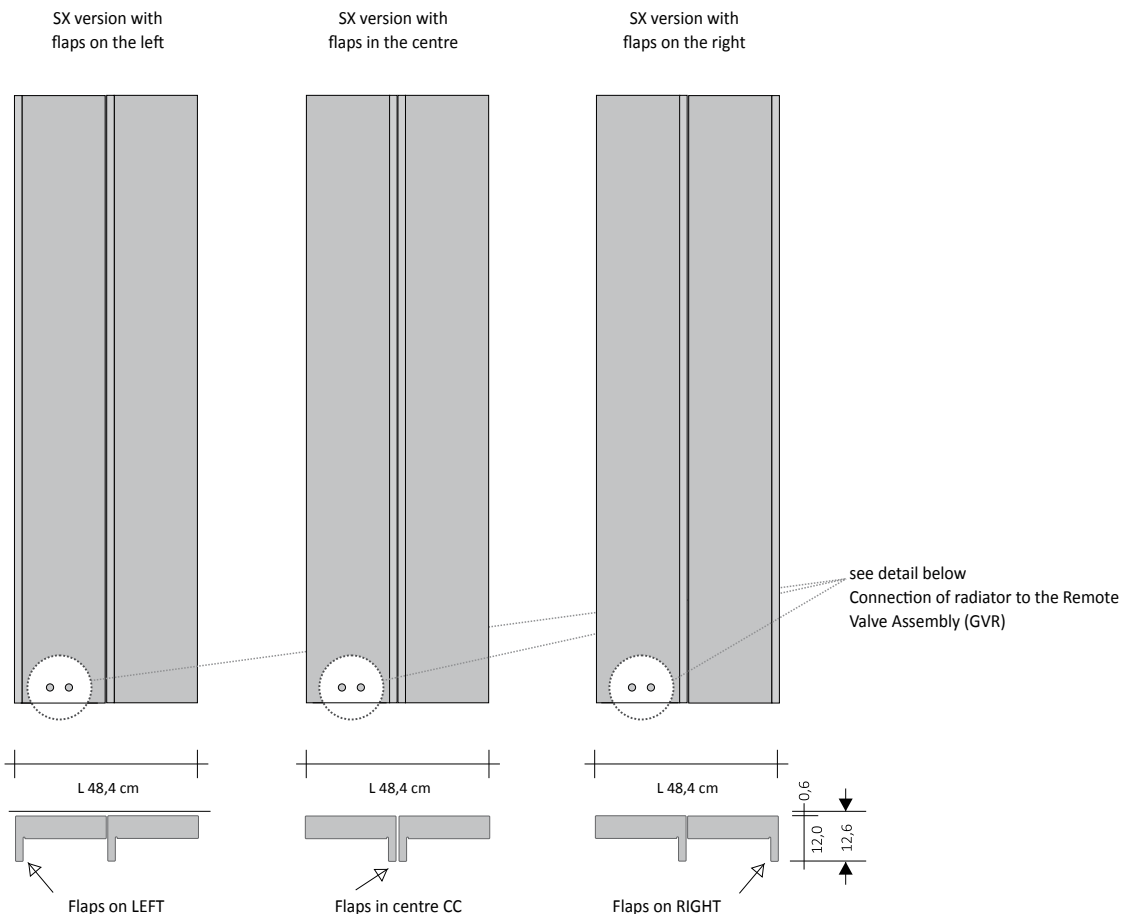
Low water content radiator comprising a two vertical modules made entirely of recyclable aluminium

ORDER EXAMPLE To correctly order this model follow the example specified below:

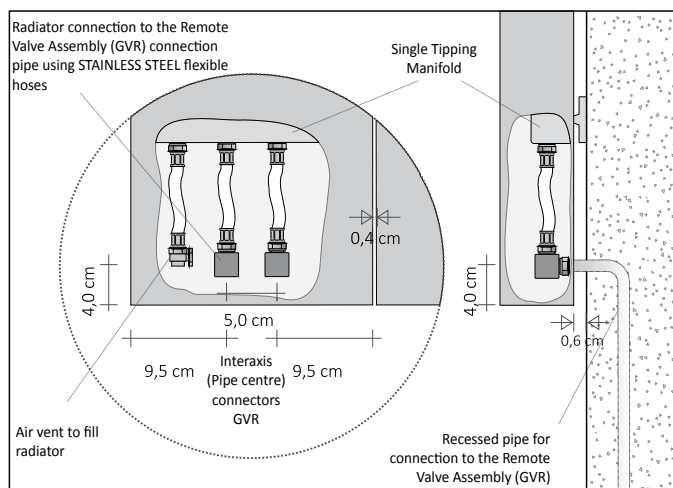
PRODUCT	RFT_VDAI2
RFT_V24DA	Double Aligned Vertical Rift with two 24 modules
I2	Hydraulic version with two elements
CC	Position of small flaps both centred (CC)
180	Overall height
9010	Colour Code to check in the TUBES COLOUR CHART
R.. / M..	Connection code that defines the type of union for copper pipes or multi-layer pipes found herein at page 276

ACCESSORIES

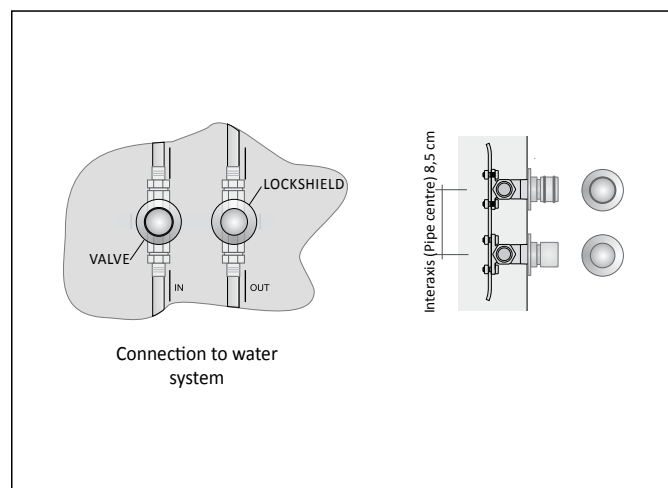
Cod. GVR	One way Remote Valve Assembly, CHROME finish
Cod. GVRCH*	One way Remote Valve Assembly, COLOUR finish*
* Specify the color code, e.g.: 9010, after checking the Tubes Colour Chart	



Connection of radiator to the Remote Valve Assembly (GVR)

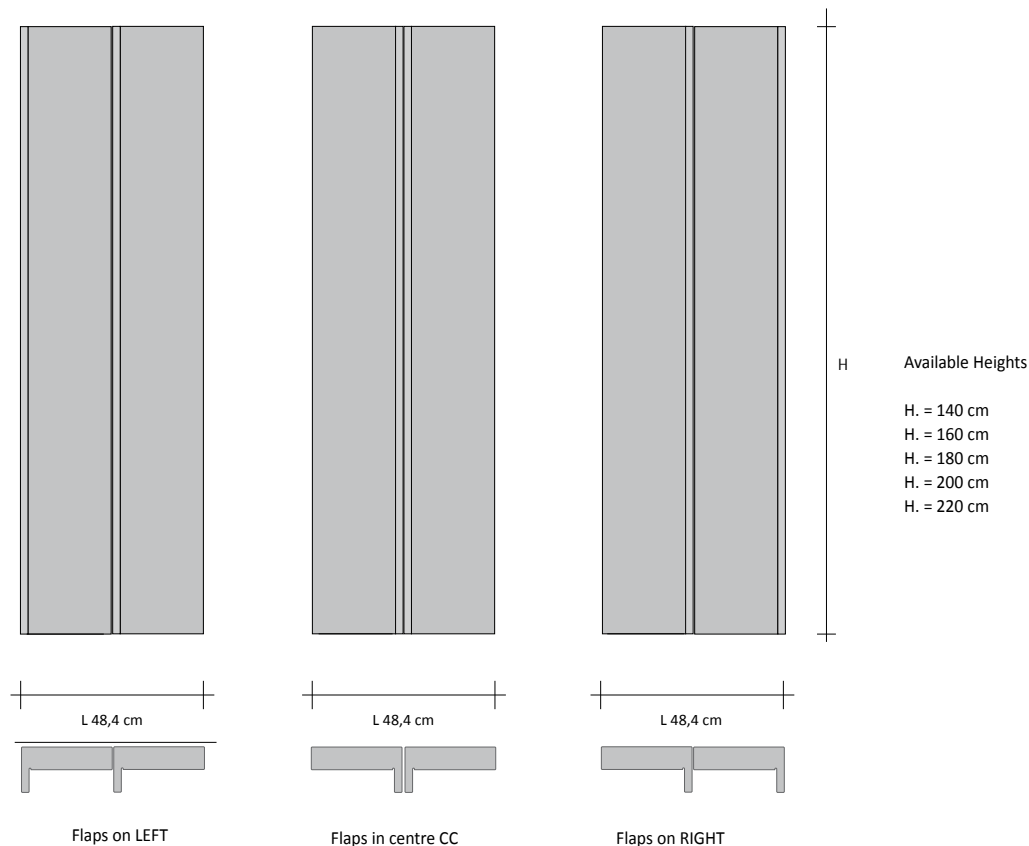


Connection to the Remote Valve Assembly (GVR)



DOUBLE ALIGNED VERTICAL RIFT 24 - hydraulic version

Low water content radiator comprising a two vertical modules made entirely of recyclable aluminium



Double Aligned Vertical SX, CC and DX 24 - hydraulic

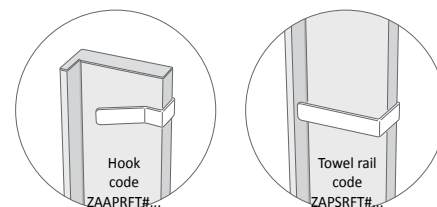
			H (cm)	L (cm)	Thermal yield Watts ΔT 50°C	Thermal yield Watts ΔT 30°C	Water Content (l)	Category C0 RAL 9010 (€)	Category C1/C2 (€)	Category C3 (2) (€)	Multi_Color (2) (€)
RFTV24DAI2#SX140	RFTV24DAI2#CC140	RFTV24DAI2#DX140	140,0	48,4	924	488	1,12				
RFTV24DAI2#SX160	RFTV24DAI2#CC160	RFTV24DAI2#DX160	160,0	48,4	1056	558	1,28				
RFTV24DAI2#SX180	RFTV24DAI2#CC180	RFTV24DAI2#DX180	180,0	48,4	1188	628	1,44				
RFTV24DAI2#SX200	RFTV24DAI2#CC200	RFTV24DAI2#DX200	200,0	48,4	1320	697	1,60				
RFTV24DAI2#SX220	RFTV24DAI2#CC220	RFTV24DAI2#DX220	220,0	48,4	1452	767	1,76				

For RAL colours not included in the chart +30 % on the price of White C0 - request feasibility in advance.

(1) Colour GRCR Chrome Grey NOT available for the RIFT model - (2) In MULTICOLOR version add "M" and the different colours should be specified

RIFT accessories

Code	Description	Finishes	Price (€)
ZAAPRFT#...	RIFT hood in Plated Brass	Chrome, Gold, Polished Tin and Black Nickel	
ZAPSRFT#...	Towel rail in Plated Brass	Chrome, Gold, Polished Tin and Black Nickel	



REMOTE VALVE ASSEMBLY. Valve and Lockshield assembly for remote connection (GVR), can be installed up to a maximum distance of 6 metres from the radiator.

Connection of Remote Valve Assembly (GVR) to water system

	Code	Description	Finishes	Price (€)
	GVR#	RECESSED valve and lockshield assembly for remote connection	CHROME	
	GVRC#	RECESSED valve and lockshield assembly for remote connection	COLOUR	

For the GVRC code you must specify the colour required. Colours not available: GRCR

TRIPLE ALIGNED VERTICAL RIFT 24 - hydraulic

Low water content radiator comprising a three vertical modules made entirely of recyclable aluminium

ORDER EXAMPLE To correctly order this model follow the example specified below:

PRODUCT

RFT_V24TAI3	Aligned Vertical Rift with three 24 modules
I3	Hydraulic Version with three elements
SX	Position of small flaps on the left
180	Overall height
9010	Colour Code to check in the TUBES COLOUR CHART
R.. / M..	Connection code that defines the type of union for copper pipes or multi-layer pipes found herein at page 276

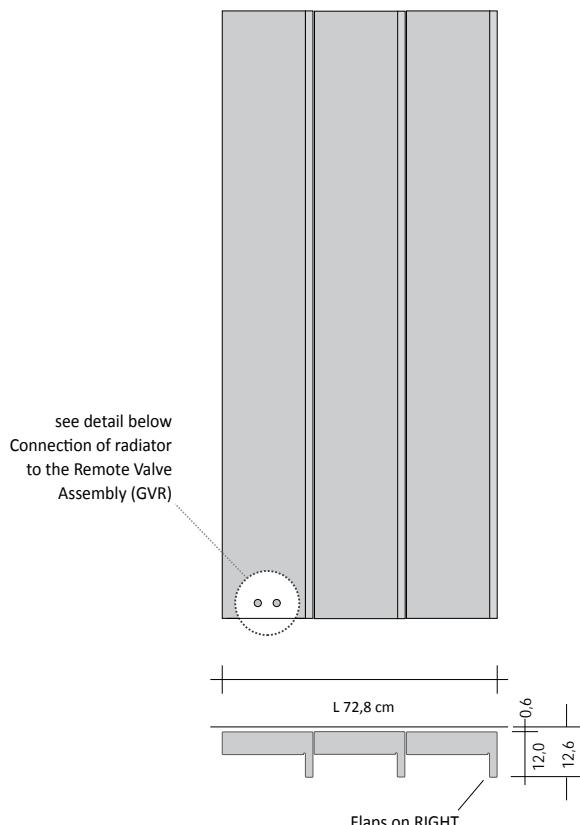
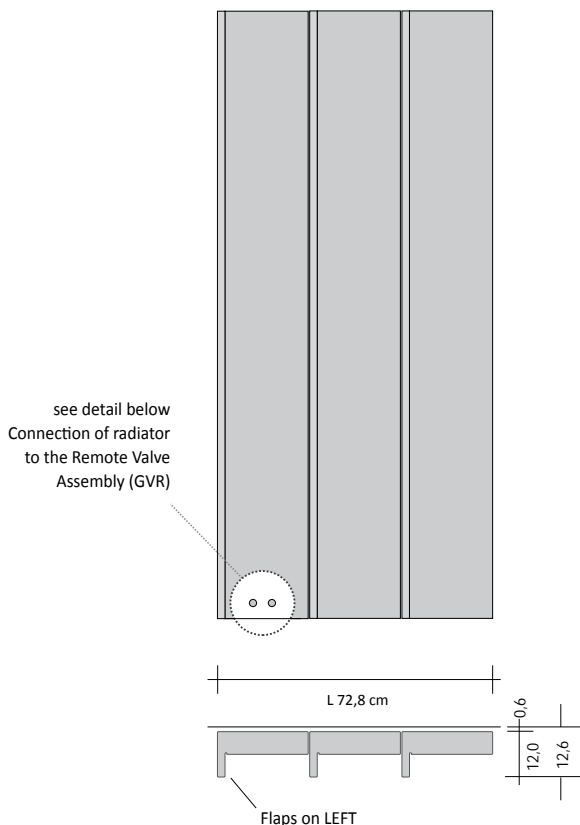
ACCESSORIES

Cod. GVR	One way Remote Valve Assembly, CHROME finish
Cod. GVRCH*	One way Remote Valve Assembly, COLOUR finish*

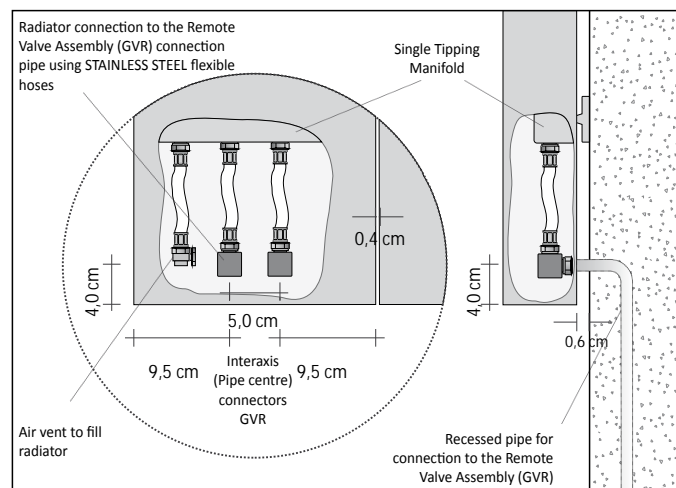
* Specify the color code, e.g.: 9010, after checking the Tubes Colour Chart

SX version with flaps on the left

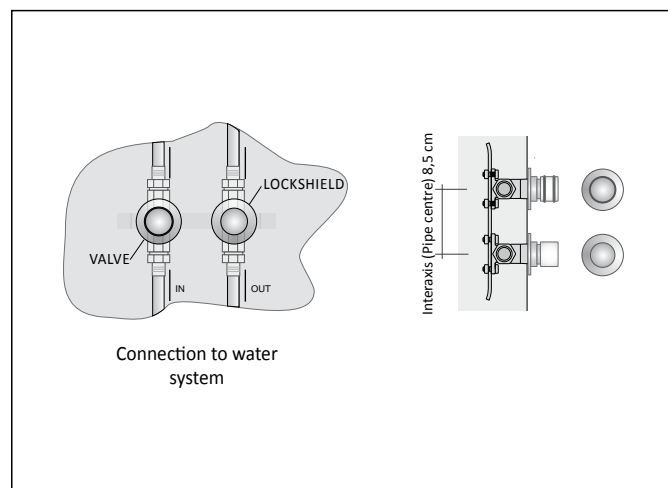
SX version with flaps on the right



Connection of radiator to the Remote Valve Assembly (GVR)

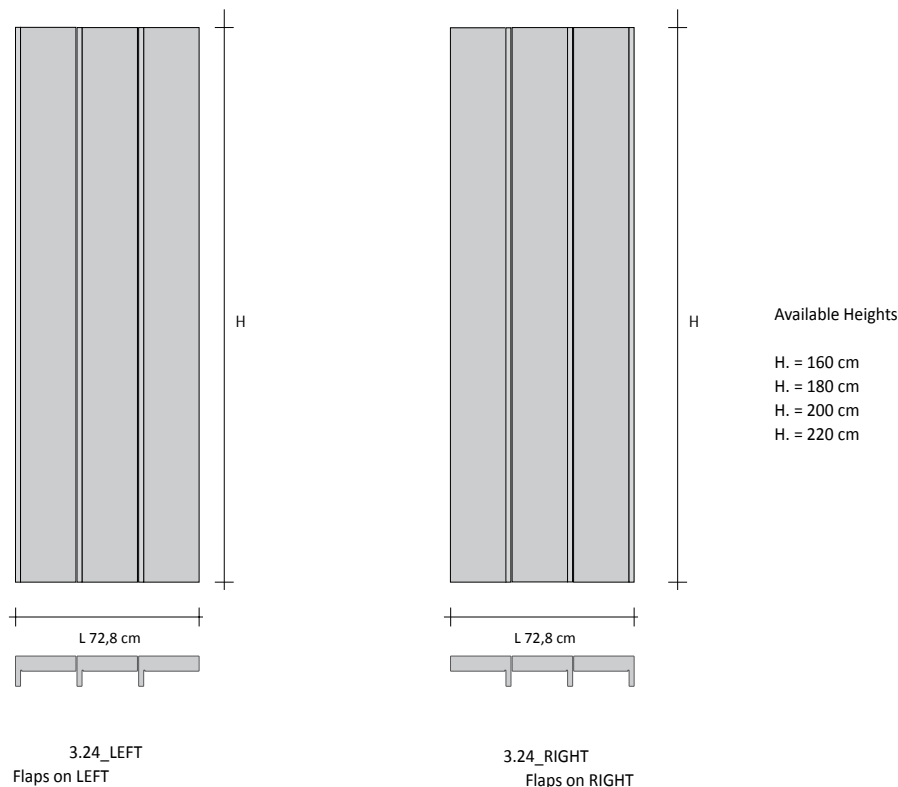


Connection to the Remote Valve Assembly (GVR)





TRIPLE ALIGNED VERTICAL RIFT 24 - hydraulic

Low water content radiator comprising a three vertical modules made entirely of recyclable aluminium



Triple Aligned Verticale 24 hydraulic Left/Right flap

		H (cm)	L (cm)	Thermal yield Watts ΔT 50°C	Thermal yield Watts ΔT 30°C	Water Content (l)	Category C0 RAL 9010 (€)	Category C1/C2 (€)	Category C3 (1) (€)	Multi_Color (2) (€)
										
RFTV24TAI3#SX160	RFTV24TAI3#DX160	160,0	72,8	1584	837	1,28				
RFTV24TAI3#SX180	RFTV24TAI3#DX180	180,0	72,8	1782	942	1,44				
RFTV24TAI3#SX200	RFTV24TAI3#DX200	200,0	72,8	1980	1046	1,60				
RFTV24TAI3#SX220	RFTV24TAI3#DX220	220,0	72,8	2178	1150	1,76				

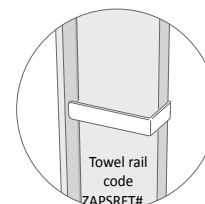
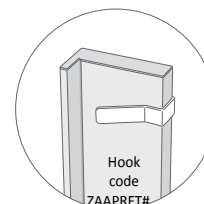
For RAL colours not included in the chart +30 % on the price of White C0 - request feasibility in advance.

(1) Colour GRCR Chrome Grey NOT available for the RIFT model

(2) In MULTICOLOR version add "M" and the different colours should be specified

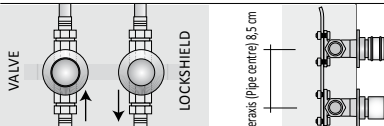
RIFT accessories

Code	Description	Finishes	Price (€)
ZAAPRFT#...	RIFT hood in Plated Brass	Chrome, Gold, Polished Tin and Black Nickel	
ZAPSRFT#...	Towel rail in Plated Brass	Chrome, Gold, Polished Tin and Black Nickel	



REMOTE VALVE ASSEMBLY. Valve and Lockshield assembly for remote connection (GVR), can be installed up to a maximum distance of 6 metres from the radiator.

Connection of Remote Valve Assembly (GVR) to water system

	Code	Description	Finishes	Price (€)
	GVR#	RECESSED valve and lockshield assembly for remote connection	CHROME	
	GVRC#	RECESSED valve and lockshield assembly for remote connection	COLOUR	

For the GVRC code you must specify the colour required. Colours not available: GRCR