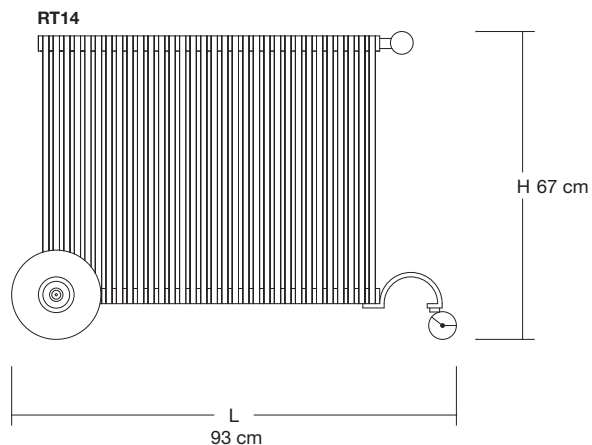


The RIMORCHIETTO model is a portable radiator that operates electrically.

Model RT14 is created with 14 mm diameter vertical tubular steel elements arranged in two rows, one in front and one behind the horizontal manifolds.

A 1/8" chrome-plated plug is fitted on the head of the upper manifold

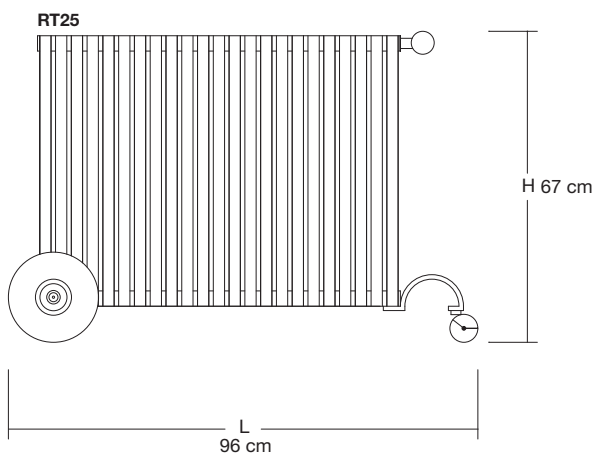


| Code | Diameter of elements (mm) | H (cm) | L (cm) | P (cm) | Electric resistor Watts | Category C0 RAL 9010 (€) | Category C1 (€) | Category C3 (€) |
|------|---------------------------|--------|--------|--------|-------------------------|--------------------------|-----------------|-----------------|
| RT14 | 14 | 67,0 | 93,0 | 19 | 900 | | | |

N.B. This model only operates electrically.
The wheels of this model are in rubber-coated wood.
The wheels can be ordered in natural wood, in red or in green.

Model RT25 is created with 25 mm diameter vertical tubular steel elements arranged in two rows, one in front and one behind the horizontal manifolds.

A 1/8" chrome-plated plug is fitted on the head of the upper manifold



| Code | Diameter of elements (mm) | H (cm) | L (cm) | P (cm) | Electric resistor Watts | Category C0 RAL 9010 (€) | Category C1 (€) | Category C3 (€) |
|------|---------------------------|--------|--------|--------|-------------------------|--------------------------|-----------------|-----------------|
| RT25 | 25 | 67,0 | 96,0 | 24 | 900 | | | |

N.B. This model only operates electrically.
The wheels of this model are in rubber-coated wood.
The wheels can be ordered in natural wood, in red or in green.