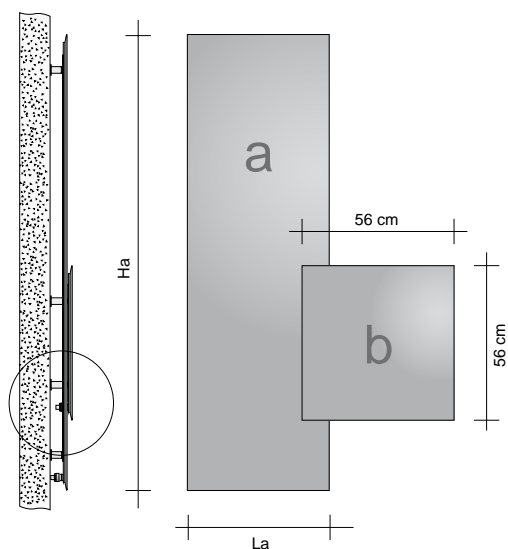


ESEMPIO D'ORDINE Per eseguire correttamente l'ordine di questo modello seguire l'esempio sotto riportato:

PRODOTTO [SQC01#IDR200056 9010 R12](#)
 SQC01#IDR200056 Codice articolo riportato nella tabella prezzi qui sotto
 9010 Codice colore da verificare nella TABELLA COLORI TUBES
 R12 Codice allacciamento che definisce il tipo di raccordo di tenuta Rame o Multistrato riportato nel presente listino a pag. 276

ACCESSORI
 Cod. GVR Gruppo valvole remote ad una via finitura Cromata
 Cod. GVRC#* Gruppo valvole remote ad una via finitura Colorata*
 * Specificare codice colore es.: 9010 scelta da fare verificando la TABELLA COLORI TUBES



| Codice | H (cm) | L (cm) | Watt ΔT 50°C | Watt ΔT 30°C | Prezzo A e B bianco (€) | Prezzo A colorato B bianco (€) | Prezzo A bianco B colorato (€) | Prezzo A e B colorato (€) |
|---------------------------|--------|--------|--------------|--------------|-------------------------|--------------------------------|--------------------------------|---------------------------|
| SQC01#200056056056 | | | | | | | | |
| a SQV2#IDR200056 | 200,0 | 56,0 | 1352 | 744 | | | | |
| b SQV2#IDR056056 | 56,0 | 56,0 | | | | | | |
| SQC01#200046056056 | | | | | | | | |
| a SQV2#IDR200046 | 200,0 | 46,0 | 1092 | 601 | | | | |
| b SQV2#IDR056056 | 56,0 | 56,0 | | | | | | |
| SQC01#180056056056 | | | | | | | | |
| a SQV2#IDR180056 | 180,0 | 56,0 | 1249 | 687 | | | | |
| b SQV2#IDR056056 | 56,0 | 56,0 | | | | | | |
| SQC01#180046056056 | | | | | | | | |
| a SQV2#IDR180046 | 180,0 | 46,0 | 1015 | 558 | | | | |
| b SQV2#IDR056056 | 56,0 | 56,0 | | | | | | |
| SQC01#160056056056 | | | | | | | | |
| a SQV2#IDR160056 | 160,0 | 56,0 | 1148 | 631 | | | | |
| b SQV2#IDR056056 | 56,0 | 56,0 | | | | | | |
| SQC01#160046056056 | | | | | | | | |
| a SQV2#IDR160046 | 160,0 | 46,0 | 939 | 516 | | | | |
| b SQV2#IDR056056 | 56,0 | 56,0 | | | | | | |

GRUPPO VALVOLE A COLLEGAMENTO REMOTO

Gruppo a collegamento remoto installabile fino ad un massimo di 6 mt dal calorifero.

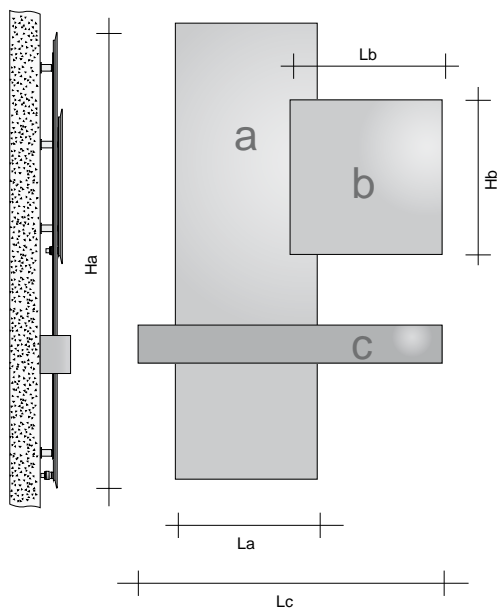
Allacciamento del GVR all'impianto Idraulico

| Codice | Descrizione | Finiture | Prezzo (€) |
|--------|----------------------------------------------------------|----------|------------|
| GVR# | Gruppo valvola e detentore INCASSO a collegamento remoto | CROMO | |
| GVRC# | Gruppo valvola e detentore INCASSO a collegamento remoto | COLORATO | |

Per il codice GVRC è necessario specificare il colore desiderato
 Colorazione non disponibile: GRRC

VERSIONE IDRAULICA

(per la versione ELETTRICA richiedere preventivo all'ufficio commerciale)



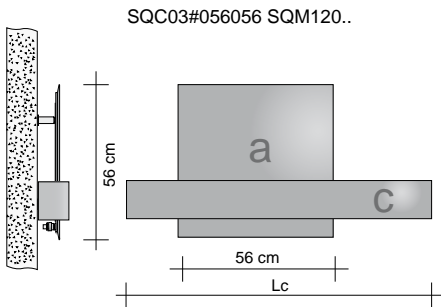
NOTE

Il Maniglione «C» è sempre e solo Elettrico

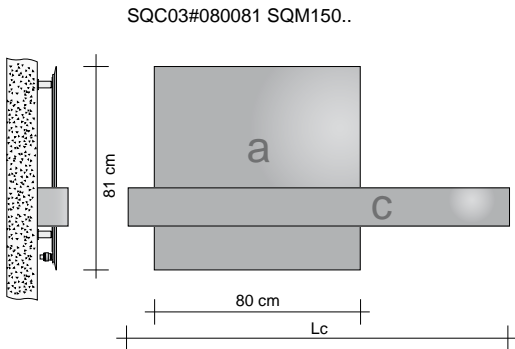
| Codice | H (cm) | L (cm) | Watt ΔT 50°C | Watt ΔT 30°C | Prezzo A e B bianco (€) | Prezzo A colorato B bianco (€) | Prezzo A bianco B colorato (€) | Prezzo A e B colorato (€) |
|---------------------------------|--------|--------|--------------|--------------|-------------------------|--------------------------------|--------------------------------|---------------------------|
| SQC02#200046056056SQM100 | | | | | | | | |
| a SQV2#IDR200046 | 200,0 | 46,0 | 1152 | 634 | | | | |
| b SQV2#IDR056056 | 56,0 | 56,0 | | | | | | |
| c SQM#ELE100 | 15,0 | 100,0 | | | | | | |
| SQC02#200046056056SQM120 | | | | | | | | |
| a SQV2#IDR200046 | 200,0 | 46,0 | 1162 | 639 | | | | |
| b SQV2#IDR056056 | 56,0 | 56,0 | | | | | | |
| c SQM#ELE120 | 15,0 | 120,0 | | | | | | |
| SQC02#200046056056SQM150 | | | | | | | | |
| a SQV2#IDR200046 | 200,0 | 46,0 | 1187 | 653 | | | | |
| b SQV2#IDR056056 | 56,0 | 56,0 | | | | | | |
| c SQM#ELE150 | 15,0 | 150,0 | | | | | | |
| SQC02#200056056056SQM120 | | | | | | | | |
| a SQV2#IDR200056 | 200,0 | 56,0 | 1422 | 782 | | | | |
| b SQV2#IDR056056 | 56,0 | 56,0 | | | | | | |
| c SQM#ELE120 | 15,0 | 120,0 | | | | | | |
| SQC02#200056056056SQM150 | | | | | | | | |
| a SQV2#IDR200056 | 200,0 | 56,0 | 1447 | 796 | | | | |
| b SQV2#IDR056056 | 56,0 | 56,0 | | | | | | |
| c SQM#ELE150 | 15,0 | 150,0 | | | | | | |
| SQC02#180046056056SQM100 | | | | | | | | |
| a SQV2#IDR180046 | 180,0 | 46,0 | 1075 | 591 | | | | |
| b SQV2#IDR056056 | 56,0 | 56,0 | | | | | | |
| c SQM#ELE100 | 15,0 | 100,0 | | | | | | |
| SQC02#180046056056SQM120 | | | | | | | | |
| a SQV2#IDR180046 | 180,0 | 46,0 | 1085 | 597 | | | | |
| b SQV2#IDR056056 | 56,0 | 56,0 | | | | | | |
| c SQM#ELE120 | 15,0 | 120,0 | | | | | | |
| SQC02#180046056056SQM150 | | | | | | | | |
| a SQV2#IDR180046 | 180,0 | 46,0 | 1110 | 611 | | | | |
| b SQV2#IDR056056 | 56,0 | 56,0 | | | | | | |
| c SQM#ELE150 | 15,0 | 150,0 | | | | | | |
| SQC02#180056056056SQM120 | | | | | | | | |
| a SQV2#IDR180056 | 180,0 | 56,0 | 1319 | 725 | | | | |
| b SQV2#IDR056056 | 56,0 | 56,0 | | | | | | |
| c SQM#ELE120 | 15,0 | 120,0 | | | | | | |
| SQC02#180056056056SQM150 | | | | | | | | |
| a SQV2#IDR180056 | 180,0 | 56,0 | 1344 | 739 | | | | |
| b SQV2#IDR056056 | 56,0 | 56,0 | | | | | | |
| c SQM#ELE150 | 15,0 | 150,0 | | | | | | |
| SQC02#180056056056SQM180 | | | | | | | | |
| a SQV2#IDR180056 | 180,0 | 56,0 | 1369 | 753 | | | | |
| b SQV2#IDR056056 | 56,0 | 56,0 | | | | | | |
| c SQM#ELE180 | 15,0 | 180,0 | | | | | | |
| SQC02#160046056056SQM100 | | | | | | | | |
| a SQV2#IDR160046 | 160,0 | 46,0 | 999 | 549 | | | | |
| b SQV2#IDR056056 | 56,0 | 56,0 | | | | | | |
| c SQM#ELE100 | 15,0 | 100,0 | | | | | | |
| SQC02#160046056056SQM120 | | | | | | | | |
| a SQV2#IDR160046 | 160,0 | 46,0 | 1009 | 555 | | | | |
| b SQV2#IDR056056 | 56,0 | 56,0 | | | | | | |
| c SQM#ELE120 | 15,0 | 120,0 | | | | | | |
| SQC02#160046056056SQM150 | | | | | | | | |
| a SQV2#IDR160046 | 160,0 | 46,0 | 1034 | 569 | | | | |
| b SQV2#IDR056056 | 56,0 | 56,0 | | | | | | |
| c SQM#ELE150 | 15,0 | 150,0 | | | | | | |
| SQC02#160056056056SQM120 | | | | | | | | |
| a SQV2#IDR160056 | 160,0 | 56,0 | 1218 | 670 | | | | |
| b SQV2#IDR056056 | 56,0 | 56,0 | | | | | | |
| c SQM#ELE120 | 15,0 | 120,0 | | | | | | |
| SQC02#160056056056SQM150 | | | | | | | | |
| a SQV2#IDR160056 | 160,0 | 56,0 | 1243 | 684 | | | | |
| b SQV2#IDR056056 | 56,0 | 56,0 | | | | | | |
| c SQM#ELE150 | 15,0 | 150,0 | | | | | | |

VERSIONE IDRAULICA

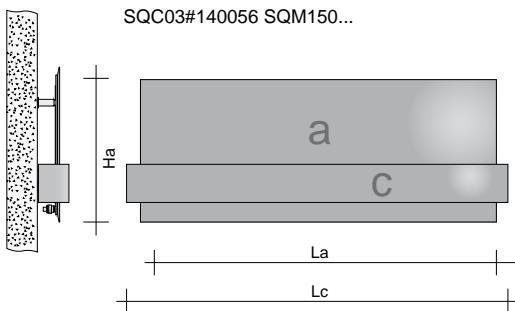
(per la versione ELETTRICA richiedere preventivo all'ufficio commerciale)



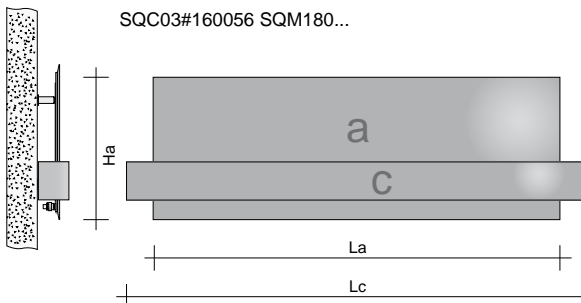
| Codice | H (cm) | L (cm) | Watt ΔT 50°C | Watt ΔT 30°C | Prezzo A e C bianco (€) | Prezzo A colorato C bianco (€) | Prezzo A bianco C colorato (€) | Prezzo A e C colorato (€) |
|---------------------------|--------|--------|--------------|--------------|-------------------------|--------------------------------|--------------------------------|---------------------------|
| SQC03#056056SQM100 | | | | | | | | |
| a SQV2#IDR056056 | 56,0 | 56,0 | 373 | 205 | | | | |
| c SQM#ELE100 | 15,0 | 100,0 | | | | | | |
| SQC03#056056SQM120 | | | | | | | | |
| a SQV2#IDR056056 | 56,0 | 56,0 | 383 | 211 | | | | |
| c SQM#ELE120 | 15,0 | 120,0 | | | | | | |
| SQC03#056056SQM150 | | | | | | | | |
| a SQV2#IDR056056 | 56,0 | 56,0 | 408 | 224 | | | | |
| c SQM#ELE150 | 15,0 | 150,0 | | | | | | |



| | | | | | | | | |
|---------------------------|------|-------|-----|-----|--|--|--|--|
| SQC03#080081SQM100 | | | | | | | | |
| a SQV2#IDR080081 | 80,0 | 81,0 | 730 | 402 | | | | |
| c SQM#ELE100 | 15,0 | 100,0 | | | | | | |
| SQC03#080081SQM120 | | | | | | | | |
| a SQV2#IDR080081 | 80,0 | 81,0 | 740 | 407 | | | | |
| c SQM#ELE120 | 15,0 | 120,0 | | | | | | |
| SQC03#080081SQM150 | | | | | | | | |
| a SQV2#IDR080081 | 80,0 | 81,0 | 765 | 421 | | | | |
| c SQM#ELE150 | 15,0 | 150,0 | | | | | | |



| | | | | | | | | |
|---------------------------|------|-------|------|-----|--|--|--|--|
| SQC03#140046SQM150 | | | | | | | | |
| a SQO2#IDR140046 | 46,0 | 140,0 | 647 | 356 | | | | |
| c SQM#ELE150 | 15,0 | 150,0 | | | | | | |
| SQC03#140056SQM150 | | | | | | | | |
| a SQO2#IDR140056 | 56,0 | 140,0 | 831 | 457 | | | | |
| c SQM#ELE150 | 15,0 | 150,0 | | | | | | |
| SQC03#140071SQM150 | | | | | | | | |
| a SQO2#IDR140071 | 71,0 | 140,0 | 1016 | 559 | | | | |
| c SQM#ELE150 | 15,0 | 150,0 | | | | | | |

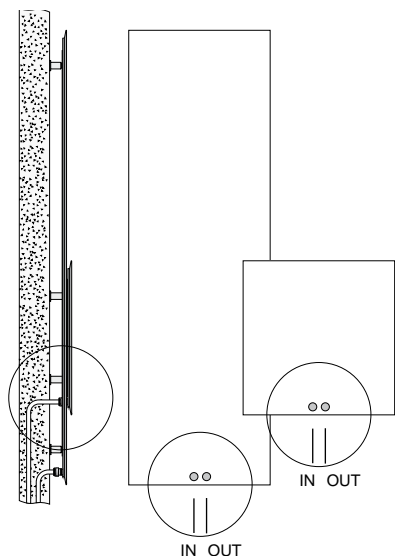


| | | | | | | | | |
|---------------------------|------|-------|------|-----|--|--|--|--|
| SQC03#140046SQM180 | | | | | | | | |
| a SQO2#IDR140046 | 46,0 | 140,0 | 672 | 370 | | | | |
| c SQM#ELE180 | 15,0 | 180,0 | | | | | | |
| SQC03#140056SQM180 | | | | | | | | |
| a SQO2#IDR140056 | 56,0 | 140,0 | 856 | 471 | | | | |
| c SQM#ELE180 | 15,0 | 180,0 | | | | | | |
| SQC03#140071SQM180 | | | | | | | | |
| a SQO2#IDR140071 | 71,0 | 140,0 | 1041 | 573 | | | | |
| c SQM#ELE180 | 15,0 | 180,0 | | | | | | |
| SQC03#160046SQM180 | | | | | | | | |
| a SQO2#IDR160046 | 46,0 | 160,0 | 746 | 410 | | | | |
| c SQM#ELE180 | 15,0 | 180,0 | | | | | | |
| SQC03#160056SQM180 | | | | | | | | |
| a SQO2#IDR160056 | 56,0 | 160,0 | 955 | 525 | | | | |
| c SQM#ELE180 | 15,0 | 180,0 | | | | | | |
| SQC03#160071SQM180 | | | | | | | | |
| a SQO2#IDR160071 | 71,0 | 160,0 | 1164 | 640 | | | | |
| c SQM#ELE180 | 15,0 | 180,0 | | | | | | |

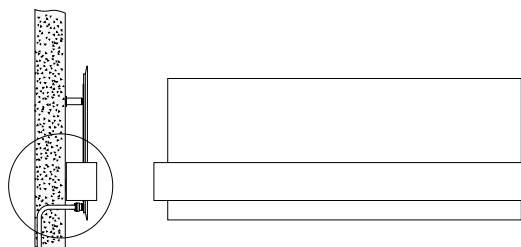
ATTACCHI

l'ufficio tecnico è a disposizione per inviare le schede tecniche specifiche del modello ordinato con tutte le quote e le indicazioni necessarie per predisporre l'impianto idraulico

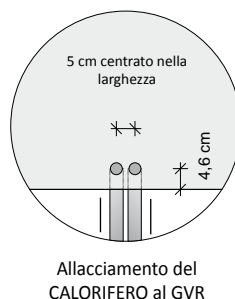
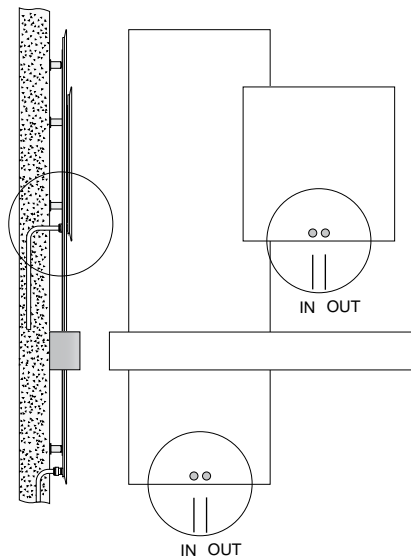
Square COMPOSITION **01**



Square COMPOSITION **03**



Square COMPOSITION **02**



Il modello SQUARE è collegato all'impianto di riscaldamento mediante collegamento remoto GVR (Gruppo Valvole Remoto) fornito come accessorio, mentre il Maniglione è sempre e solo Elettrico.

GRUPPO VALVOLE A COLLEGAMENTO REMOTO

Gruppo a collegamento remoto installabile fino ad un massimo di 6 mt dal calorifero.

Allacciamento del GVR all'impianto Idraulico

| Codice | Descrizione | Finiture | Prezzo (€) |
|--------|----------------------------------------------------------|----------|------------|
| GVR# | Gruppo valvola e detentore INCASSO a collegamento remoto | CROMO | |
| GVRC# | Gruppo valvola e detentore INCASSO a collegamento remoto | COLORATO | |

Per il codice GVRC è necessario specificare il colore desiderato
Colorazione non disponibile: GRCR