

MILANO FIXED BASE VERSION ELECTRIC

Electric DESIGN radiator made of carbon steel

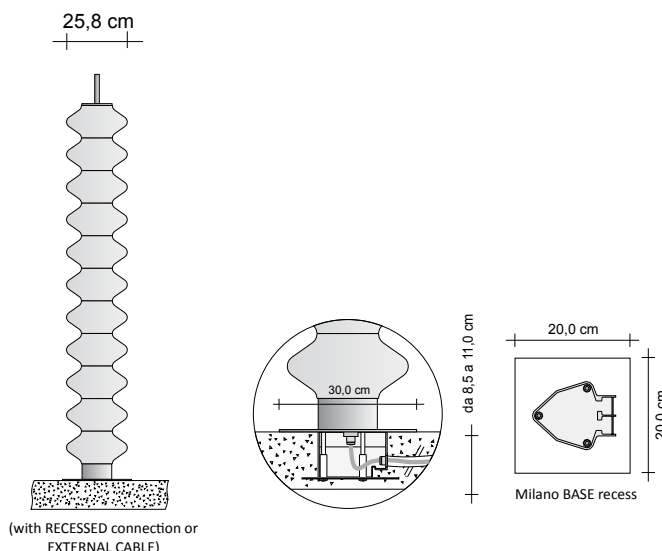


EL

Price per radiator/Towel warmer in White Standard colour code 9010 – VAT and transport excluded.



ELECTRIC BASE version



Product code **MLN2#200BAELI9010**

MLN2#200BAELI
9010

Article code specified in the price table
Colour/finish code specified in the Official TUBES COLOUR CHART

ADDITIONAL COLOUR CHARGES

Finishes and Anodizing see page. 5 or the colour table provided at the end of this price list.

MILANO BASE version with RECESSED CONNECTION

Model	H (cm)	L (cm)	Heat output in Watts	Price Standard White Cat. C0 (€)	Price Category C1/C2 (€)	Price Category Cat. C3 (€)
MLN2#170BAELI	171,5	25,8	800 W			
MLN2#200BAELI	199,0	25,8	900 W			
MLN2#230BAELI	227,0	25,8	1000 W			

Set-up for Milano ELECTRIC FLOOR RECESS

Code	Description	Price (€)
INCMLNBA#ELI	Milano Floor Recess	

ELECTRIC CONTROLS

Electric control is via the use of the ZRF007 thermostat which regulates the room temperature by interacting with up to a maximum of 5 radiators.

	Code	Description	Finishes	Price (€)
	ZRF007	Radio frequency Room Thermostat Kit with weekly programmer for wall mounting, wireless and certified ECodesign. The Kit includes the wall box radio frequency receiver which must strictly be installed.	White	

MILANO ELECTRIC WALL TYPE VERSION

Electric DESIGN radiator made of carbon steel

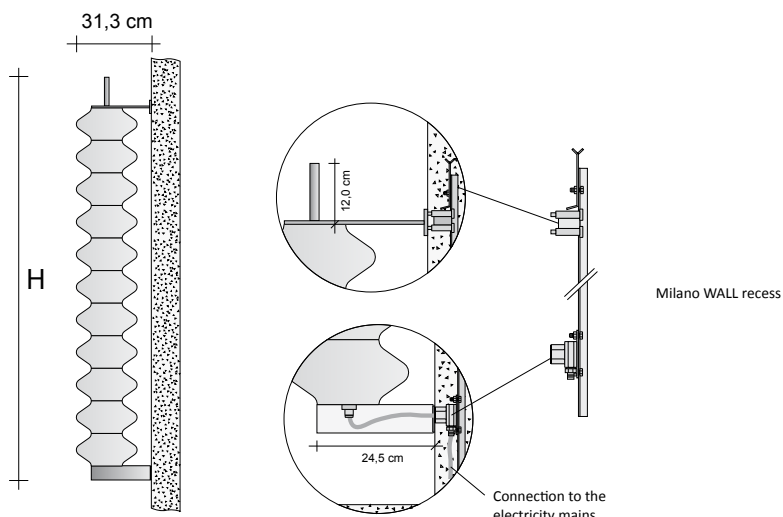


EL

Price per radiator/Towel warmer in White Standard colour code 9010 – VAT and transport excluded.



ELECTRIC WALL version



Product code **MLN2#200PAELI9010**

MLN2#200PAELI
9010

Article code specified in the price table
Colour/finish code specified in the Official TUBES COLOUR CHART

ADDITIONAL COLOUR CHARGES

Finishes and Anodizing see page. 5 or the colour table provided at the end of this price list.

MILANO WALL VERSION with RECESSED PART

Model	H (cm)	L (cm)	Heat output in Watts	Price Standard White Cat. C0 (€)	Price Category C1/C2 (€)	Price Category Cat. C3 (€)
MLN2#170PAELI	171,5	31,3	800 W			
MLN2#200PAELI	199,0	31,3	900 W			
MLN2#230PAELI	227,0	31,3	1000 W			

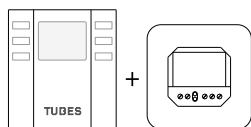
Set-up for Milano ELECTRIC WALL RECESS

Code	Description	Price (€)
INCM LNPA#ELI170	Milano 170 Wall Recess	
INCM LNPA#ELI200	Milano 200 Wall Recess	
INCM LNPA#ELI230	Milano 230 Wall Recess	

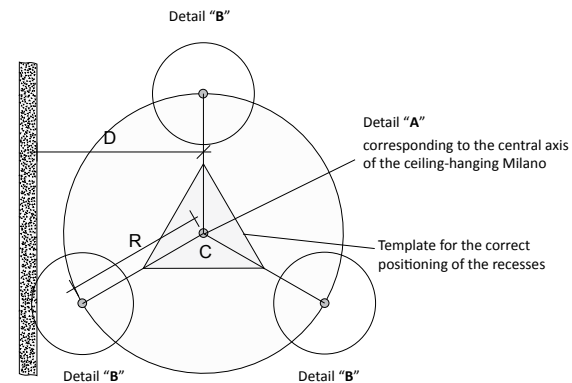
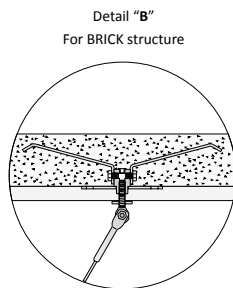
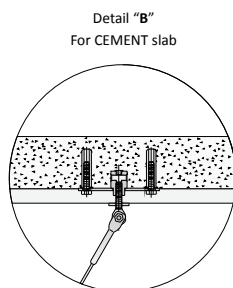
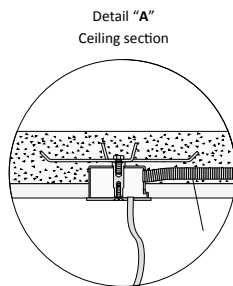
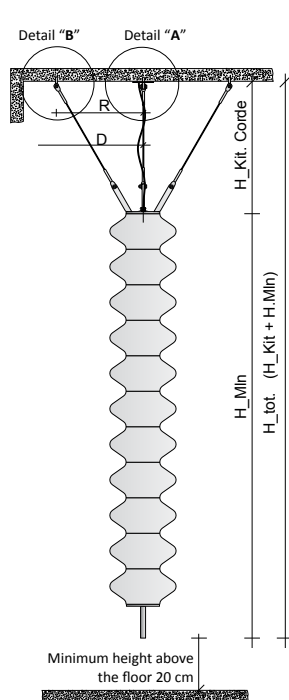
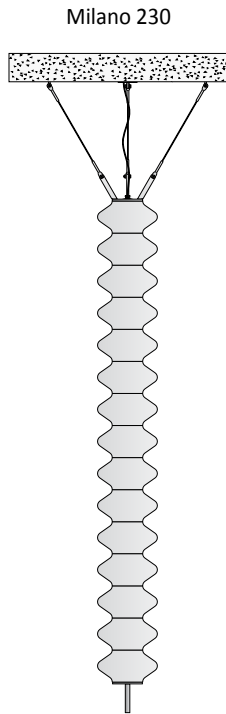
ELECTRIC CONTROLS

Electric control is via the use of the ZRF007 thermostat which regulates the room temperature by interacting with up to a maximum of 5 radiators.

Code	Description	Finishes	Price (€)
ZRF007	Radio frequency Room Thermostat Kit with weekly programmer for wall mounting, wireless and certified ECOdesign. The Kit includes the wall box radio frequency receiver which must strictly be installed.	White	



cod. ZRF007



- R** Radius that identifies the position of the fixing tie rods "B" from the central axis "C" of Milano (see table).
- D** Distance from "C" (central axis of Milano) to the wall. "D" must be at least 10 cm more than "R".
- C** Central axis of Milano

N.B.: "D" must be more than "R"

- H_Kit** Height of the desired Tie Rod Kit
- H_Tot** Overall height of the ceiling-hanging Milano including the desired Tie Rod Kit. H_Tot must be at least 20 cm less than the height between the ceiling and the floor of the room in which the ceiling-hanging Milano is to be installed.

CAUTION:

for the correct installation of the ceiling-hanging Milano pay particular attention to the assembly instructions provided with the product

Product code **MLN2#200SOELI9010**

MLN2#200SOELI 9010 Article code specified in the price table
Colour/finish code specified in the Official TUBES COLOUR CHART

ADDITIONAL COLOUR CHARGES

Finishes and Anodizing see page. 5 or the colour table provided at the end of this price list.

Ceiling-hanging Milano (MLN2#...)



MILANO CEILING VERSION with RECESSED PART

Model	Description	Heat output in Watts	Price Standard White Cat. C0 (€)	Price Category C1/C2 (€)	Price Category Cat. C3 (€)
MLN2#170SOELI	Ceiling-hanging Milano 170	800 W			
MLN2#200SOELI	Ceiling-hanging Milano 200	900 W			
MLN2#230SOELI	Ceiling-hanging Milano 230	1000 W			

Set-up for ceiling-hanging Milano RECESS (INCMSO#...)



Set-up for ceiling-hanging Milano RECESS

Model	Description	Price (€)
INCMSO#040	Ceiling recessed part of MLN2, for tie rod assembly for H 40 cm	
INCMSO#050	Ceiling recessed part of MLN2, for tie rod assembly for H 50 cm	
INCMSO#060	Ceiling recessed part of MLN2, for tie rod assembly for H 60 cm	
INCMSO#075	Ceiling recessed part of MLN2, for tie rod assembly for H 75 cm	
INCMSO#100	Ceiling recessed part of MLN2, for tie rod assembly for H 100 cm	
INCMSO#125	Ceiling recessed part of MLN2, for tie rod assembly for H 125 cm	
INCMSO#150	Ceiling recessed part of MLN2, for tie rod assembly for H 150 cm	

Tie Rod KIT for Ceiling-hanging Milano (GRT#...)



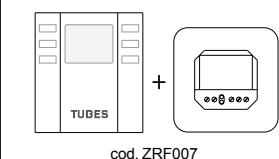
Rope kit for ceiling fixing

Model	Description	Ropes height (cm)	Positioning radius Recessed ceiling	H_TOT (overall height Milano + tie rods)			Price (€)
				MLN2170	MLN2200	MLN2230	
GRT#040	Tie Rod Kit 40 cm	40,0	R. 28 cm	204	232	259	
GRT#050	Tie Rod Kit 50 cm	50,0	R. 33 cm	214	242	269	
GRT#060	Tie Rod Kit 60 cm	60,0	R. 39 cm	224	252	279	
GRT#075	Tie Rod Kit 75 cm	75,0	R. 48 cm	239	267	294	
GRT#100	Tie Rod Kit 100 cm	100,0	R. 62 cm	264	292	319	
GRT#125	Tie Rod Kit 125 cm	125,0	R. 77 cm	289	317	344	
GRT#150	Tie Rod Kit 150 cm	150,0	R. 91 cm	314	342	369	

ELECTRIC CONTROLS

Electric control is via the use of the ZRF007 thermostat which regulates the room temperature by interacting with up to a maximum of 5 radiators.

Code	Description	Finishes	Price (€)
ZRF007	Radio frequency Room Thermostat Kit with weekly programmer for wall mounting, wireless and certified ECOdesign. The Kit includes the wall box radio frequency receiver which must strictly be installed.	White	



MILANO HORIZONTAL ELECTRICAL FLOOR-STANDING INSTALLATION

Electric DESIGN radiator made of carbon steel



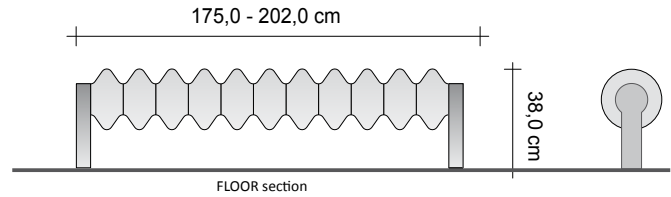
EL

Price per radiator/Towel warmer in White Standard colour code 9010 – VAT and transport excluded.



ADDITIONAL COLOUR CHARGES

Finishes and Anodizing see page. 5 or the colour table provided at the end of this price list.



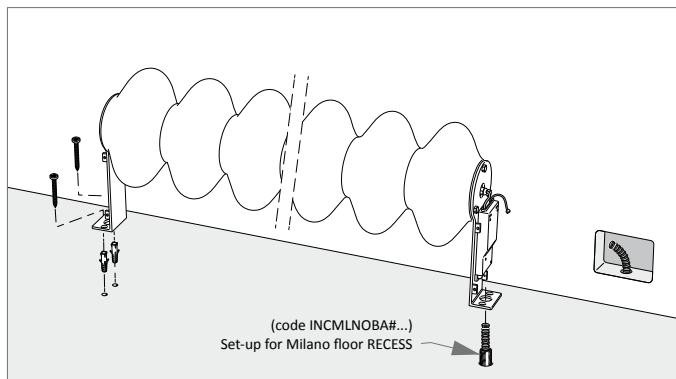
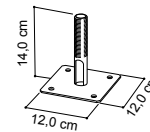
MILANO HORIZONTAL FLOOR

(the prices do not include the set-up for recessing INCMLNOBA#... reported in the table below)

Model	H (cm)	L (cm)	Heat output in Watts	Price Standard White Cat. C0 (€)	Price Category C1/C2 (€)	Price Category Cat. C3 (€)
Electrical version with Connection Cable						
MLNOELC#170PV	38,0	175,0	550 W			
MLNOELC#200PV	38,0	202,0	650 W			
Electrical version with Connection Cable, adjustment and programming via Wireless Thermostat (ZRF007)						
MLNOEWC#170PV	38,0	175,0	550 W			
MLNOEWC#200PV	38,0	202,0	650 W			

Set-up for Milano HORIZONTAL FLOOR RECESS

Code	Description	Price (€)
INCMLNOBA#170	Milano HORIZONTAL electric FLOOR Recess 170	
INCMLNOBA#200	Milano HORIZONTAL electric FLOOR Recess 200	



Electric Control - ZRF007-

	<p>Code ZRF007 ECOdesign digital wireless room chronothermostat + receiver kit</p> <p>ZRF007 electric control is included in the price of the MLNOEW version</p>
--	--

The Milano HORIZONTAL is available upon request with an external cable and electrical plug; in this case the RECESSED set-up is no necessary.

MILANO HORIZONTAL ELECTRICAL WALL-MOUNTED INSTALLATION

Electric DESIGN radiator made of carbon steel



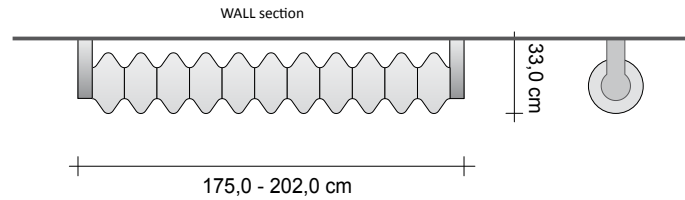
EL

Price per radiator/Towel warmer in White Standard colour code 9010 – VAT and transport excluded.



ADDITIONAL COLOUR CHARGES

Finishes and Anodizing see page. 5 or the colour table provided at the end of this price list.



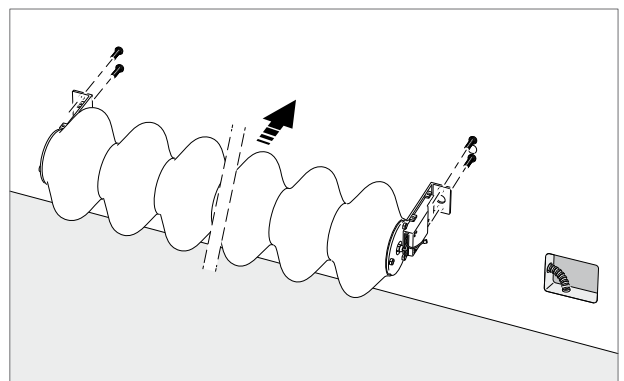
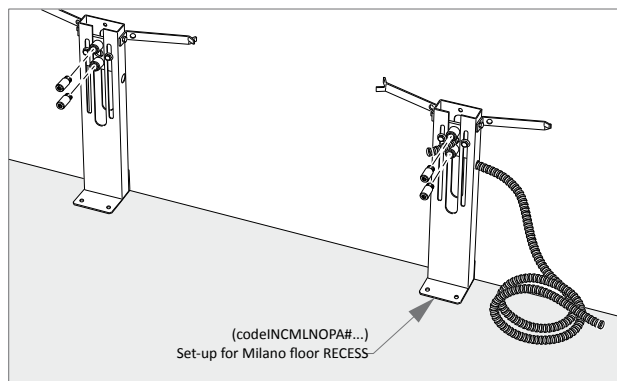
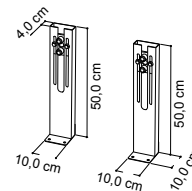
MILANO HORIZONTAL WALL-MOUNTED

(the prices do not include the set-up for recessing INCLMNOA#... reported in the table below)

Model	P (cm)	L (cm)	Heat output in Watts	Price Standard White Cat. C0 (€)	Price Category C1/C2 (€)	Price Category Cat. C3 (€)
Electrical version with Connection Cable						
MLNOELC#170PA	33,0	175,0	550 W			
MLNOELC#200PA	33,0	202,0	650 W			
Electrical version with Connection Cable, adjustment and programming via Wireless Thermostat (ZRF007)						
MLNOEWC#170PA	33,0	175,0	550 W			
MLNOEWC#200PA	33,0	202,0	650 W			

Set-up for Milano HORIZONTAL WALL RECESS

Code	Description	Price (€)
INCLMNOA#170	Set-up for Milano HORIZONTAL WALL RECESS	
INCLMNOA#200	Set-up for Milano HORIZONTAL WALL RECESS	



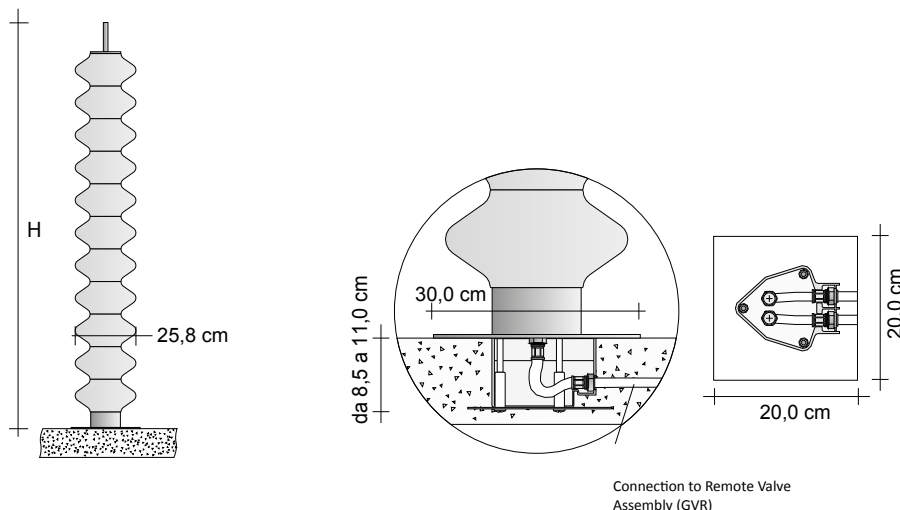
Product code **MLNOEW#200PV9010ZRF007**

MLNOEW#200PV Article code specified in the price table
 ZRF007 Thermostat code
 9010 Color / finish code shown in the TUBES COLOR CHART

MILANO FIXED BASE VERSION HYDRAULIC

DESIGN radiator with hydraulic system in carbon steel

Price for Radiator/Towel warmer in Standard White/Chrome color (where specified) and standard connections - VAT and transport excluded.



Product code **MLN#170BAIDR9010**

MLN#170BAIDR Article code specified in the price table
9010 Colour/finish code specified in the Official TUBES COLOUR CHART

ADDITIONAL COLOUR CHARGES

Finishes and Anodizing see page. 5 or the colour table provided at the end of this price list.

BASE VERSION (BA)

(the prices do not include the set-up for recessing)

Model	H (cm)	L (cm)	Heat output in Watts COLOURED version		Price Standard White Cat. C0 (€)	Price Category C1/C2 (€)	Price Category C3 (€)
			ΔT. 50°C	ΔT. 30°C			
MLN#170BAIDR	171,5	25,8	800	422			
MLN#200BAIDR	199,0	25,8	934	494			
MLN#230BAIDR	227,0	25,8	1079	565			


Milano Floor Recess

It includes the wall recessed part for connection to the Remote Valve Assembly (GVR) and the support for the external part of Milano

Model	Description	Price (€)
INCMLNBA#IDR	Milano Floor Recess	

Remote valve assembly – GVR

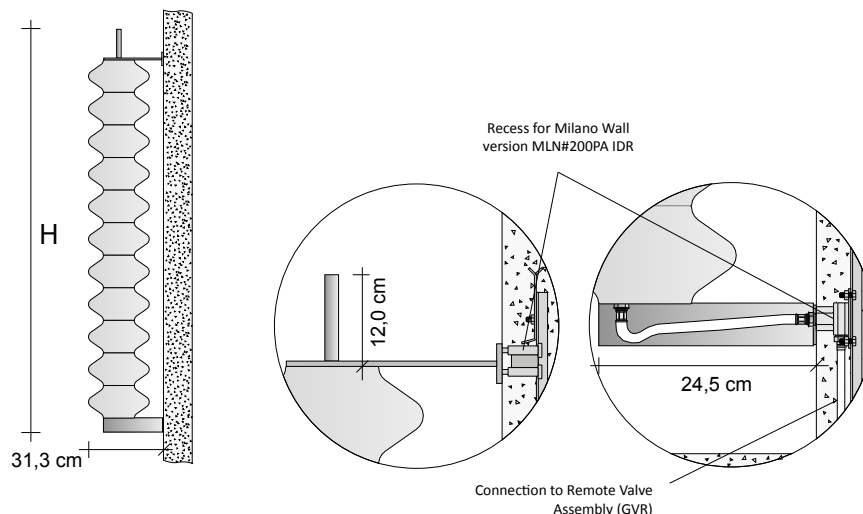
For more information on the choice of valves, see p. 312

	Code	Description	Finishes	Price (€)
	GVR#1	RECESSED Valve that can be fitted with a thermostat and Lockshield assembly for REMOTE connection	Chromed Plated	
GVRTG#1...	RECESSED thermostatic valve and Lockshield assembly for REMOTE connection*			
GVRC#1...	RECESSED Valve that can be fitted with a thermostat and Lockshield assembly for REMOTE connection	Coloured Coloured		
GVRTC#1...	RECESSED thermostatic valve and Lockshield assembly for REMOTE connection*			
Finiture Galvaniche: Vedere tabella finiture speciali Tubes Colored Finishes: see categories C0, C1, C2 and C3 of the Tubes color chart * The price does not include the cost of the thermostatic head (see page 320)				

MILANO HYDRAULIC WALL TYPE VERSION

DESIGN radiator with hydraulic system in carbon steel

Price for Radiator/Towel warmer in Standard White/Chrome color (where specified) and standard connections - VAT and transport excluded.



Product code **MLN#170PAIDR9010**

MLN#170PAIDR Article code specified in the price table
9010 Colour/finish code specified in the Official TUBES COLOUR CHART

ADDITIONAL COLOUR CHARGES

Finishes and Anodizing see page. 5 or the colour table provided at the end of this price list.

WALL VERSION (PA)

Model	H (cm)	L (cm)	Heat output in Watts COLOURED version		Price Standard White Cat. C0 (€)	Price Category C1/C2 (€)	Price Category C3 (€)
			ΔT. 50°C	ΔT. 30°C			
MLN#170PAIDR	171,5	31,3	800	422			
MLN#200PAIDR	199,0	31,3	934	494			
MLN#230PAIDR	227,0	31,3	1079	565			

Milano Wall Recess

It includes the wall recessed part for connection to the Remote Valve Assembly (GVR) and the support for the external part of Milano.

Model	Description	Price (€)
INCMLNPA#IDR170	Milano 170 Wall Recess	
INCMLNPA#IDR200	Milano 200 Wall Recess	
INCMLNPA#IDR230	Milano 170 Wall Recess	

Recessed part for MILANO Wall Type

Remote valve assembly – GVR

For more information on the choice of valves, see p. 312

Code	Description	Finishes	Price (€)
GVR#1	RECESSED Valve that can be fitted with a thermostat and Lockshield assembly for REMOTE connection	Chromed Plated	
GVRTG#1...	RECESSED thermostatic valve and Lockshield assembly for REMOTE connection*		
GVRC#1...	RECESSED Valve that can be fitted with a thermostat and Lockshield assembly for REMOTE connection	Coloured Coloured	
GVRTC#1...	RECESSED thermostatic valve and Lockshield assembly for REMOTE connection*		

Plated finishes: See table of Tubes special finishes
Colored Finishes: see categories C0, C1, C2 and C3 of the Tubes color chart
* The price does not include the cost of the thermostatic head (see page 320)