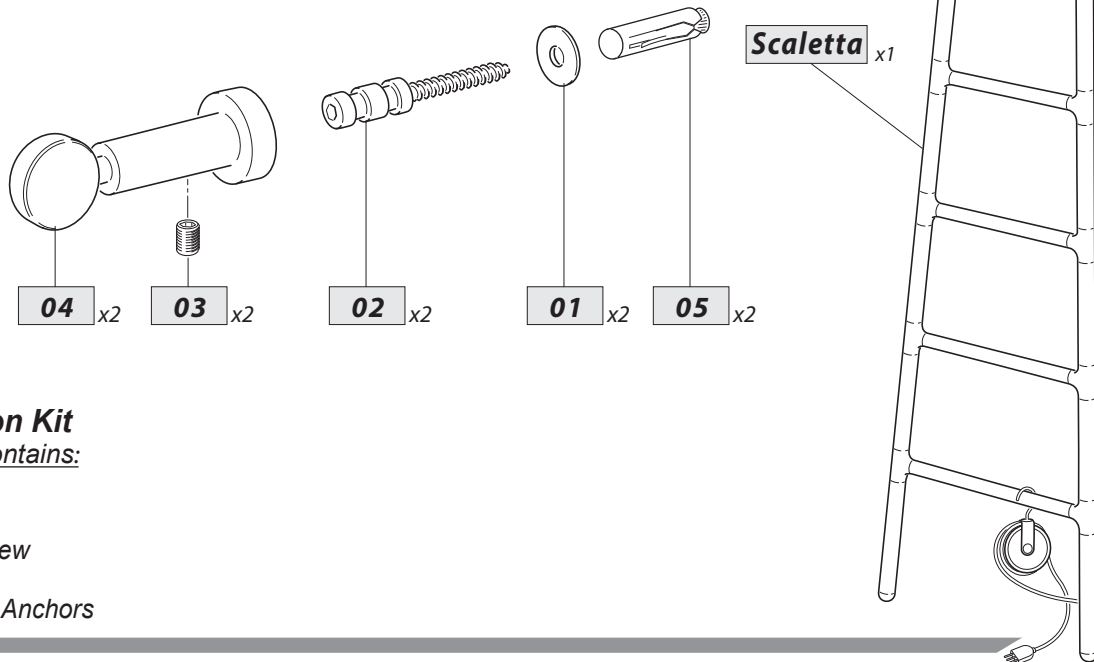


TUBES

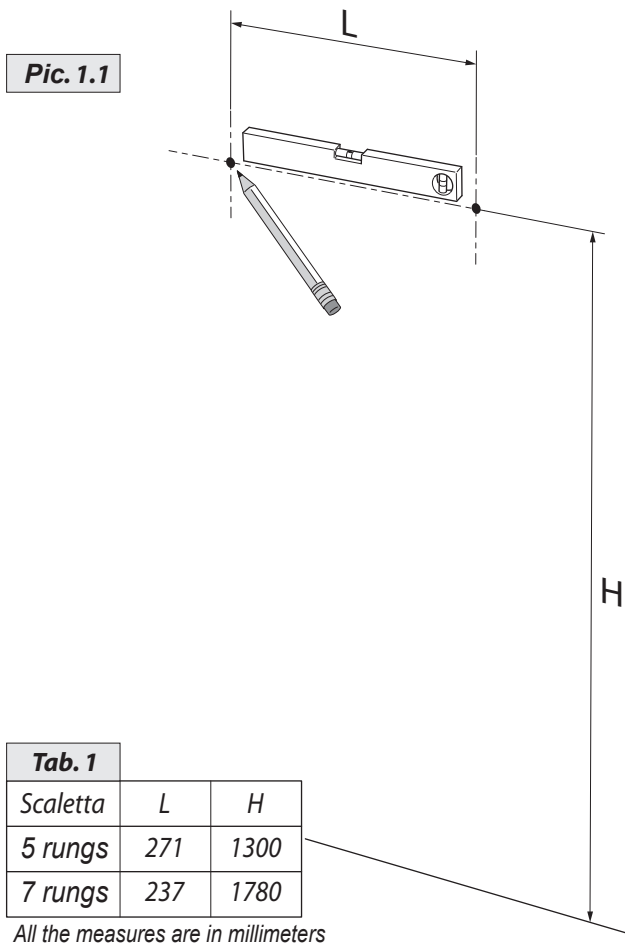


Installation Kit packaging contains:

- 01 Washer
- 02 Pin
- 03 Grub Screw
- 04 Spacer
- 05 Wall Anchors

1st Step When choosing the position, please mark the points where you drill a hole into, by following the measures "L" and "H" as in Tab.1 on the basis of the Scaletta's model.

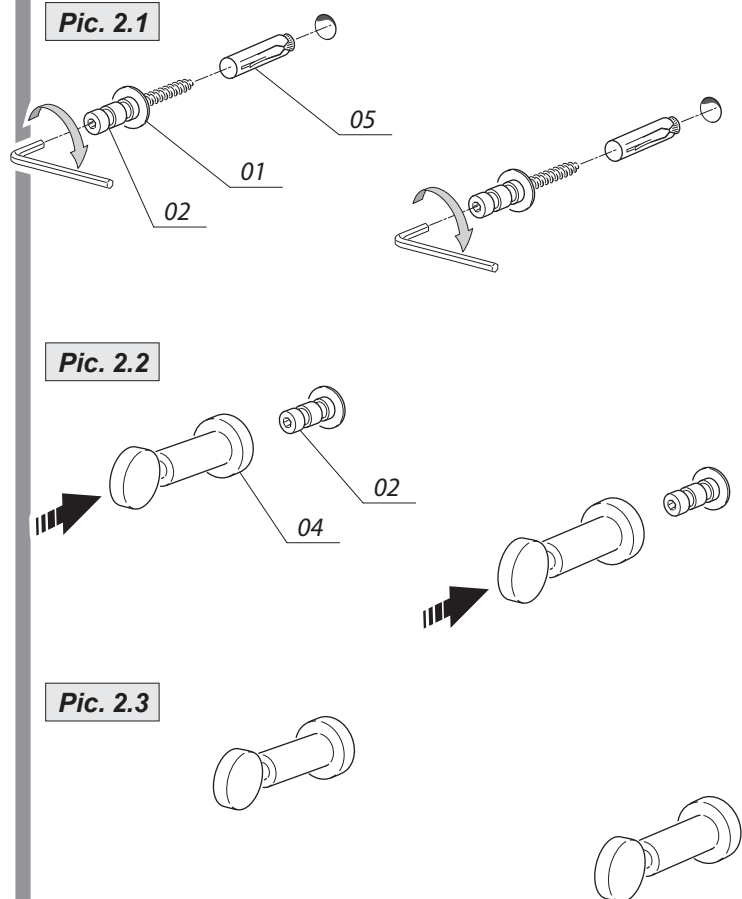
2nd Step Fasten the pins 02 and the washers 01 by using the wall anchors 05 (Pic. 2.1) Put into the pins 02 the spacers 04 up to the standstill (Pic 2.2 and Pic 2.3)



Tab. 1

Scaletta	L	H
5 rungs	271	1300
7 rungs	237	1780

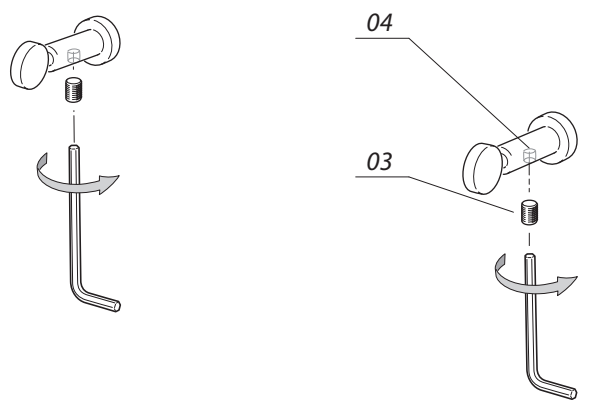
All the measures are in millimeters



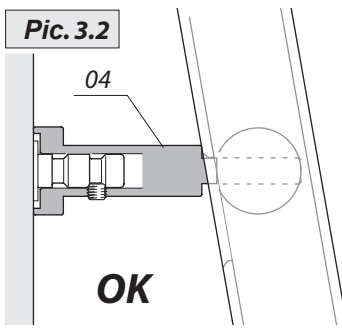
Step 3 Block both the spacers 04 through the grub screw 03 (Pic. 3.1). Pay attention to the position of the particular 04 (See Pic. 3.2 and 3.3)

Step 4 Hook the Scaletta on the spacers 04 through the slots you can find on the top back side (Pic. 4.1)

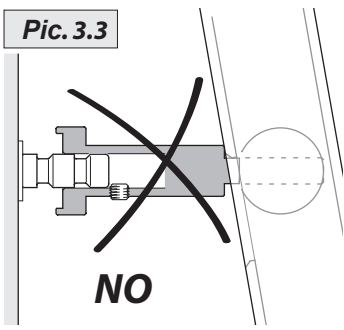
Pic. 3.1



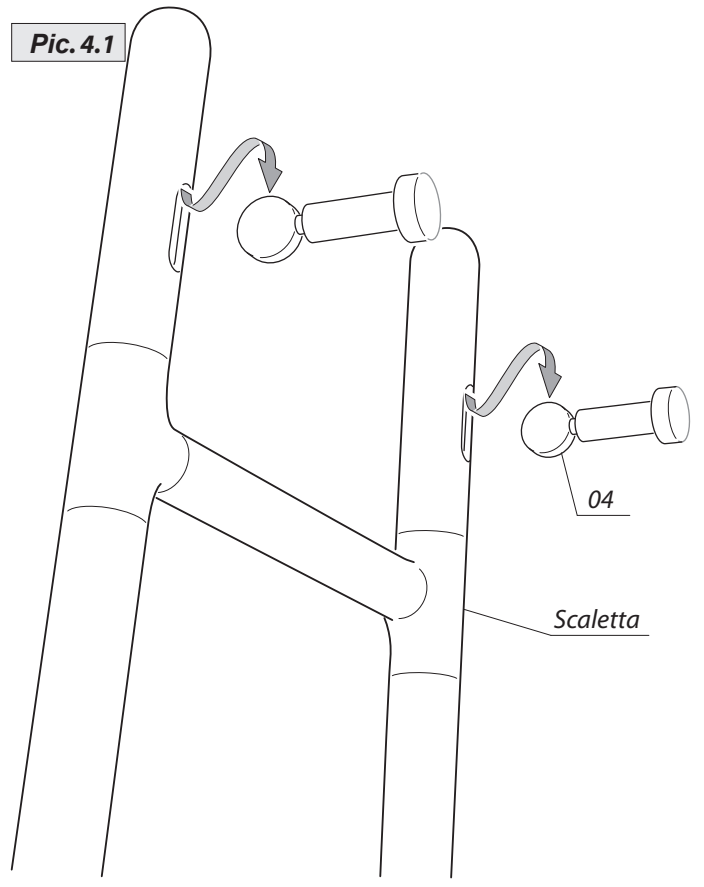
Pic. 3.2



Pic. 3.3

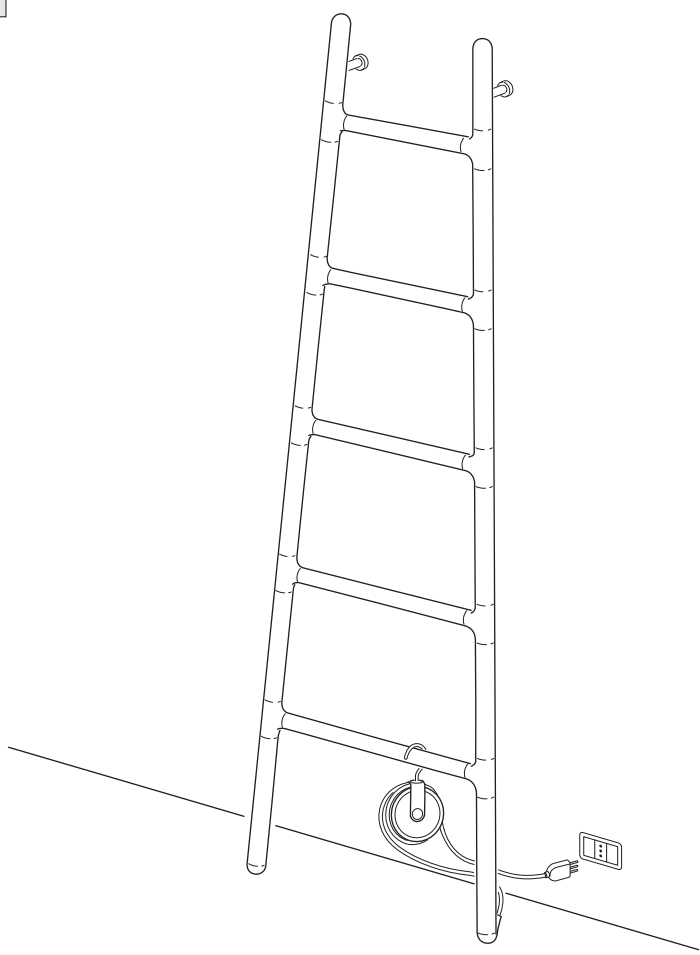


Pic. 4.1



Step 5 Put in the plug to the power socket

Pic. 5.1



ATTENTION!

