

How to order I-Ching

I-Ching consists of two elements, a visible external part, and a recessed part which must be set up when the plumbing is installed and can therefore be shipped in advance.

I-Ching is available with or without a switch and it operates at 24 V.

E.g.: ordering I-CHING Composition_04 electric with switch

External part	ICH2E#063... + ICH2E#053...	Recessed part	INC_ICH#E04INT
ICH2E#063	I-Ching - 2 elements electric, size 63 cm	INC_ICH#E04INT	Recess for I-Ching - 4 element WITH pre-arrangement for switch
ICH2E#053	I-Ching - 1 element electric, size 53 cm		
063, 135	Length of elements in cm		
...	Specify colour (see Tubes colour chart)		
Switch	INT_ICH#	Transformer KIT	KIT_ICH#01INT
INT_ICH	Switch for I-Ching		Transformer kit for I-Ching to be installed for the switch

I-CHING Composition_4

EXTERNAL part I-Ching Composition_04

Model	Description	Output	Stainless Steel and Galvanic Finishes*		Model	Coloured Finishes*	
			Stainless steel Satin	Stainless steel Polished		standard finishes	Colours C0/C1/C2
ICH2EG#063...	External part I-CHING 02 L.63 cm	38 W			ICH2E#063...		
ICH2EG#053...	External part I-CHING 02 L.53 cm	30 W			ICH2E#053...		
Total I-CHING Composition_04 External part		68 W					

For the other available finishes, i.e. for the C3 Category Colours, the price will be calculated with a supplement equal to +25% compared to the prices illustrated for the Satin Stainless steel finish. For the Galvanic finishes, see the table on page. 281.

RECESSED part

Model	Description	Price (€)
INC_ICH#15E04	Recess for I-CHING - 4 elements without pre-arrangement for switch	
INC_ICH#15E04INT	Recess for I-CHING - 4 elements with pre-arrangement for switch	

Switch

Model	Description	Price (€)
INT_ICH#...	Switch for I-Ching Coloured	
INT_ICHG#...	Switch for I-Ching Galvanic	

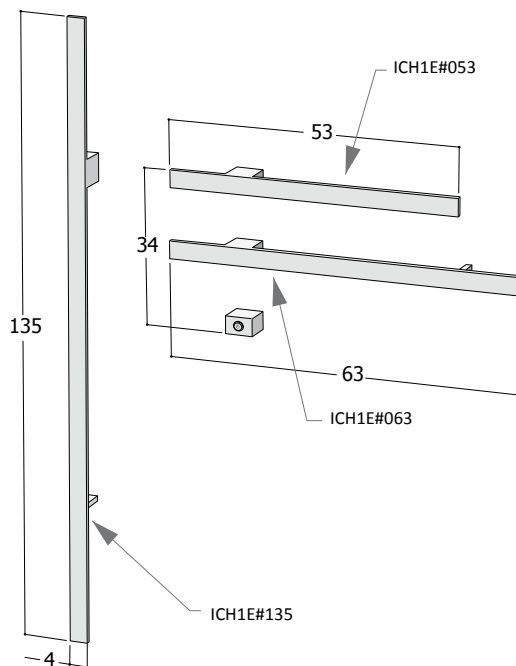
Transformer KIT** Required component

Model	Description	Price (€)
KIT_ICH#01	Transformer kit without switch set up (max120W)	
KIT_ICH#01INT	Transformer kit with switch set up (max120W)	

** The recessed part also includes the 24V transformer and set-up for electrical connections.

I-CHING requires correct installation of the recessed part. Assembly instructions, technical data sheets and video tutorial consultable using the QR code or on the website www.tubesradiatori.com.





How to order I-Ching

I-Ching consists of two elements, a visible external part, and a recessed part which must be set up when the plumbing is installed and can therefore be shipped in advance.

I-Ching is available with or without a switch and it operates at 24 V.

E.g.: ordering I-CHING Composition_05 electric with switch

External part **ICH1E#053... + ICH1E#063... + ICH1E#135...**
 ICH1E#053 I-Ching - 1 element electric, size 53 cm
 ICH1E#063 I-Ching - 1 element electric, size 63 cm
 ICH1E#135 I-Ching - 1 element electric, size 135 cm
 063, 078, 135 Length of elements in cm
 ... Specify colour (see Tubes colour chart)

Recessed part **INC_ICH#E02INT + INC_ICH#E01**
 INC_ICH#E02INT Recess for I-Ching - 2 element WITH pre-arrangement for switch
 INC_ICH#E01 Recess for I-Ching - 2 element WITHOUT pre-arrangement for switch

Transformer KIT **KIT_ICH#01INT**
 KIT_ICH#01INT Transformer kit for I-Ching to be installed for the switch

Switch **INT_ICH#**
 INT_ICH Switch for I-Ching

I-CHING Composition_5

EXTERNAL part I-Ching Composition_05

Model	Description	Output	Stainless Steel and Galvanic Finishes*		Model	Coloured Finishes*	
			Stainless steel Satin	Stainless steel Polished		standard finishes	Colours C0/C1/C2
ICH1EG#053...	External part I-CHING 01 L.53 cm	15 W			ICH1E#053...		
ICH1EG#063...	External part I-CHING 01 L.63 cm	19 W			ICH1E#063...		
ICH1EG#135...	External part I-CHING 01 L.153 cm	40 W			ICH1E#135...		
Total I-CHING Composition_05 External part		74 W					

For the other available finishes, i.e. for the C3 Category Colours, the price will be calculated with a supplement equal to +25% compared to the prices illustrated for the Satin Stainless steel finish. For the Galvanic finishes, see the table on page. 281.

RECESSED part I-Ching Composition_05 with and without pre-arrangement for switch

Model	Description	Price (€)
INC_ICH#15E02	Recess for I-CHING - 2 elements without pre-arrangement for switch	
INC_ICH#15E01	Recess for I-CHING - 1 element Without pre-arrangement for switch	
Total Recessed Part of I-Ching Composition_05 without pre-arrangement for switch		
INC_ICH#15E02INT	Recess for I-CHING - 2 elements with pre-arrangement for switch	
INC_ICH#15E01INT	Recess for I-CHING - 1 element With pre arrangement for switch	
Total Recessed Part of I-Ching Composition_05 with pre-arrangement for switch		

Switch

Model	Description	Price (€)
INT_ICH#...	Switch for I-Ching Coloured	
INT_ICHG#...	Switch for I-Ching Galvanic	

Transformer KIT** Required component

Model	Description	Price (€)
KIT_ICH#01	Transformer kit without switch set up (max120W)	
KIT_ICH#01INT	Transformer kit with switch set up (max120W)	

** The recessed part also includes the 24V transformer and set-up for electrical connections.

I-CHING requires correct installation of the recessed part. Assembly instructions, technical data sheets and video tutorial consultable using the QR code or on the website www.tubesradiatori.com.

