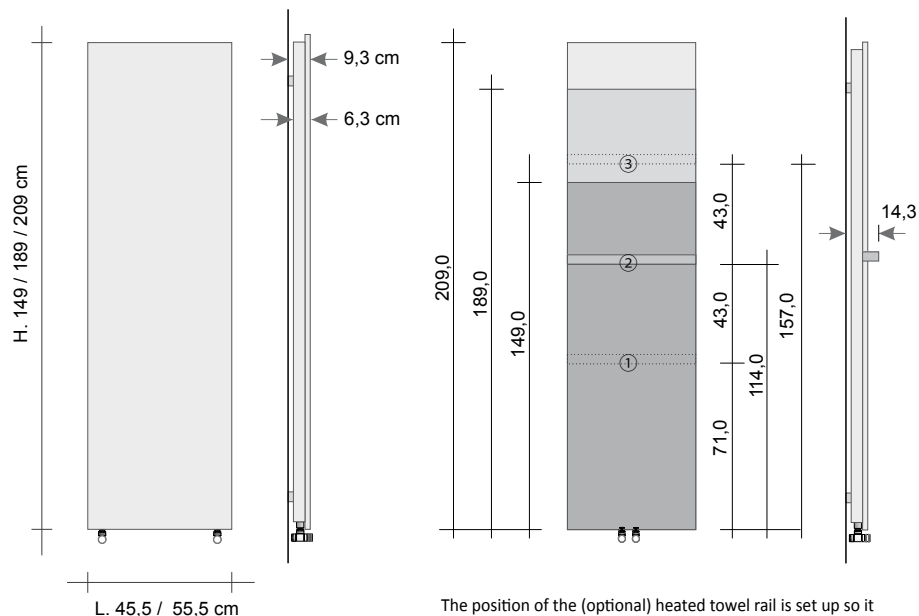




VERTICAL VERSION

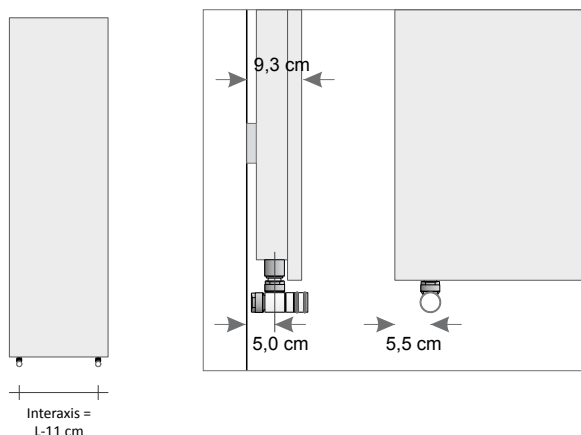


The position of the (optional) heated towel rail is set up so it can be installed, even at a later date, only in position 1-2 at all heights or 3 for the H. 189 and 209 model.

TYPE OF CONNECTORS for TRADITIONAL VALVES

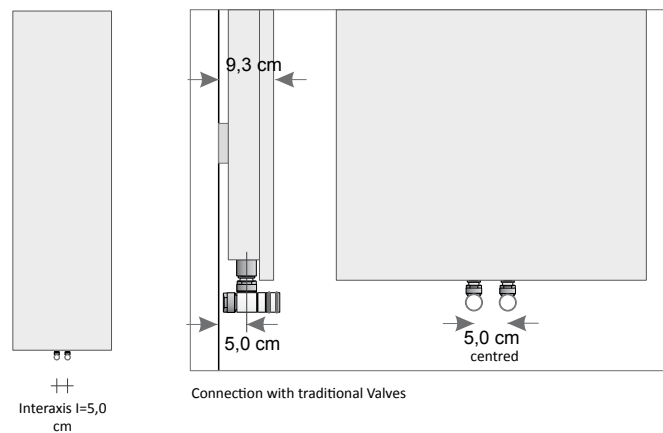
Standard connector OB2

Supplied unless otherwise specified in the order



Connector on request OB5

Available upon request with an additional charge of



Product code **PFV#1490450B2ST9010**

PFV#149045	Article code specified in the price table
OB2	Connector code see technical datasheet
ST	Standard support code
9010	Colour/finish code specified in the Official TUBES COLOUR CHART

ADDITIONAL COLOUR CHARGES


Finishes and Anodizing see page. 5 or the colour table provided at the end of this price list.

PLATFORM Vertical Hydraulic


Model	H (cm)	L (cm)	Heat output in Watts COLOURED version		Price Standard White Cat. C0 (€)	Price Category C1/C2 (€)	Price Category Cat. C3 (€)
			ΔT. 50°C	ΔT. 30°C			
PFV#149045	149,0	45,5	765	392			
PFV#149055	149,0	55,5	975	496			
PFV#189045	189,0	45,5	903	464			
PFV#189055	189,0	55,5	1151	581			
PFV#209045	209,0	45,5	1007	522			
PFV#209055	209,0	55,5	1201	622			

* Heat emission pending CERTIFICATION


ACCESSORIES

	Code	Description	Finishes	*Price (€)
	ZAPFVG#PS30...	OPEN GALVANIC towel rail 30 cm x PLATFORM	Galvanic finish cat. G0, G1, G2, G3 and G5 (except brushed)	
ZAPFVG#PS45...	GALVANIC Towel rail L. 45 cm for PLATFORM L. 45 cm			
ZAPFVG#PS55...	GALVANIC Towel rail L. 55 cm for PLATFORM L. 55 cm			
ZAPFVG#AP...	GALVANIC Hook for PLATFORM			
ZAPFV#PS30...	OPEN COLOURED towel rail 30 cm x PLATFORM	Tubes Colours* cat. C0, C1, C2, C3		
ZAPFV#PS45...	Coloured Towel rail L. 45 cm for PLATFORM L. 45 cm			
ZAPFV#PS55...	Coloured Towel rail L. 55 cm for PLATFORM L. 55 cm			
ZAPFV#AP...	COLOURED Hook for PLATFORM			

Convertible valves connection 5 cm - Z1TL5NR

	Code	Description	Finishes	Price (€)
	Z1TL5NR#ANR12DX...	Valve that can be fitted with a thermostat with a 5 cm interaxis Handle on the Right Copper and/or Multi-layer 1/2"	Standard White	
Z1TL5NR#ANR12SX...	Valve that can be fitted with a thermostat with a 5 cm interaxis Handle on the Left Copper and/or Multi-layer 1/2"	Standard White		
Z1KITRAC#003	6-part pipe union KIT for Paired valves - 2 Z1RAC#R12CRO 15 mm copper system O-Rings - 2 Z1RAC#R14CRO Multi-layer 24x19x12 - 16x2 mm - 2 Z1AC#M03CRO Multi-layer 24x19x11 - 16x2.5 mm	Glossy Chrome		

Standard convertible valves – Z1TLNR

	Code	Description	Finishes	Price (€)
	Z1TLNR#ANR12...	Paired Valve + Lockshield - Copper angle 1/2" and/or Multi-layer 1/2"	Standard White Colour C1/C2/C3	
Z1KITRAC#001	6-part connector KIT: - 2x Z1RAC#R12CRO - 2x Z1RAC#R14CRO - 2x Z1AC#M03CRO	Glossy Chrome		
Z1KITRAC#002	8-part connector KIT: - 2x Z1RAC#R12CRO - 2x Z1RAC#R14CRO - 2x Z1RAC#M03CRO - 2x Z1RAC#M01CRO	Glossy Chrome		