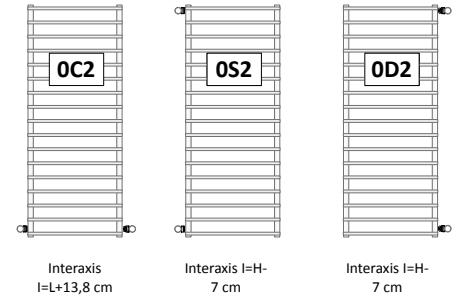


CONNECTORS The heated towel rails are supplied as standard with connectors "OB1"

If different connectors are required, strictly indicate this in the order. **IMPORTANT:** the connectors for heated towel rails and radiators connected to the same system must all have the same configuration, otherwise operating problems may occur.

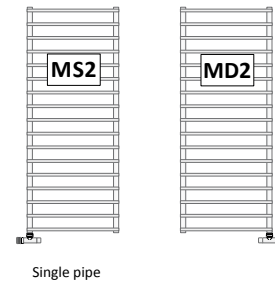
Special connectors

Provided upon request WITH an additional charge of



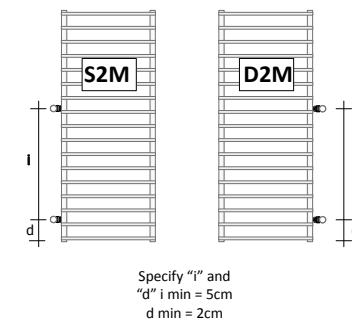
Connectors on request

Available upon request AT NO additional charge.

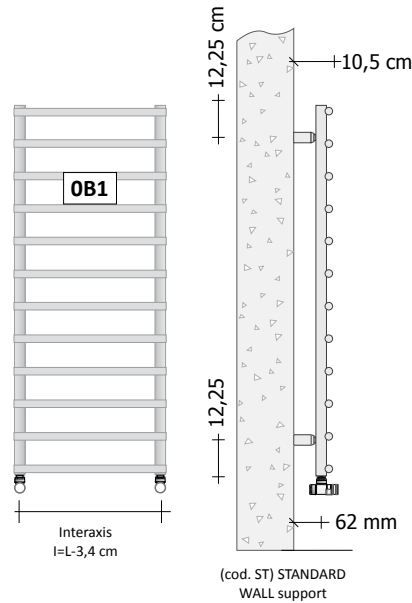


Custom-made connectors

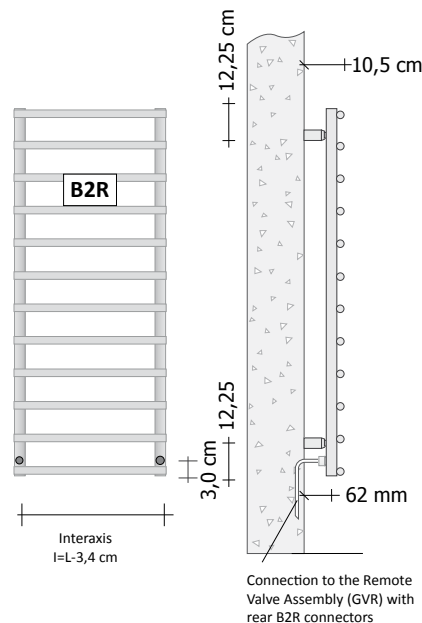
Available upon request WITH an additional charge of



**STANDARD HYDRAULIC VERSION
(Connectors OB1)**



**STANDARD HYDRAULIC VERSION
(Connectors B2R)**



Standard convertible valves – Z1TLNR

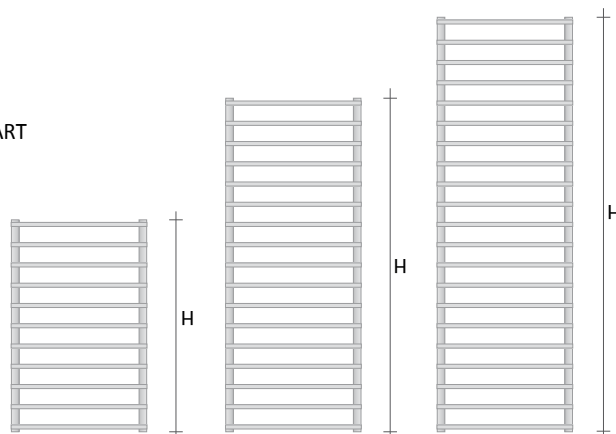
For more information on the choice of valves, see p. 310



Code	Description	Finishes	Price (€)
Z1TLNR#ANR12...	Paired Valve + Lockshield - Copper angle 1/2" and/or Multi-layer 1/2"	Standard White Colour C1/C2/C3	
Z1TLNRG#ANR12..	Paired Valve + Lockshield - Copper angle 1/2" and/or Multi-layer 1/2"	Glossy Chrome	
Z1KITRAC#001	Union KIT with 6 pieces for Paired valves - 2 Z1RAC#R12CRO 12 mm copper system O-Rings - 2 Z1RAC#R14CRO 14 mm copper system O-Rings - 2 Z1AC#M03CRO Multi-layer 24x19x11.5/12-16x2/2.25 mm	Glossy Chrome	
ZRCF3#9010	Couple pipe washer for Heated towel rail	Standard White	
ZRCF3G#CRO	Couple pipe washer for Heated towel rail	Glossy Chrome	

Product code **SM25#1200500B1ST9010**

SM25#125050 Article code specified in the price table
 OB1 Connector code see technical datasheet
 ST Support code
 9010 Colour/finish code specified in the Official TUBES COLOUR CHART



ADDITIONAL COLOUR CHARGES

Finishes and Anodizing see page. 5 or the colour table provided at the end of this price list.

SM25#... Hydraulic

Model	H (cm)	L (cm)	Interaxis (cm)	Heat output in Watts				Price Standard White Cat. C0 (€)	Price Category C1/C2 (€)	Price Category Cat. C3 (€)	Price Chrome G0 (€)
				COLOURED version		CHROMED version					
				ΔT. 50°C	ΔT. 30°C	ΔT. 50°C	ΔT. 30°C				
SM25#120040	119,5	40,0	36,6	247	128	198	102				
SM25#120050	119,5	50,0	46,6	309	160	247	128				
SM25#120060	119,5	60,0	56,6	371	192	297	154				
SM25#150040	150,5	40,0	36,6	308	160	246	128				
SM25#150050	150,5	50,0	46,6	387	200	310	160				
SM25#150060	150,5	60,0	56,6	464	240	371	192				
SM25#170040	171,5	40,0	36,6	349	181	279	145				
SM25#170050	171,5	50,0	46,6	438	227	350	182				
SM25#170060	171,5	60,0	56,6	526	272	421	218				


In the Chrome (Plated) Version, code SM25 becomes SM25G

SM25#...hydraulic with rear connectors B2R

Model	H (cm)	L (cm)	Interaxis (cm)	Heat output in Watts				Price Standard White Cat. C0 (€)	Price Category C1/C2 (€)	Price Category Cat. C3 (€)	Price Chrome G0 (€)
				COLOURED version		CHROMED version					
				ΔT. 50°C	ΔT. 30°C	ΔT. 50°C	ΔT. 30°C				
SM25#120040B2R	119,5	40,0	36,6	247	128	198	102				
SM25#120050B2R	119,5	50,0	46,6	309	160	247	128				
SM25#120060B2R	119,5	60,0	56,6	371	192	297	154				
SM25#150040B2R	150,5	40,0	36,6	308	160	246	128				
SM25#150050B2R	150,5	50,0	46,6	387	200	310	160				
SM25#150060B2R	150,5	60,0	56,6	464	240	371	192				
SM25#170040B2R	171,5	40,0	36,6	349	181	279	145				
SM25#170050B2R	171,5	50,0	46,6	438	227	350	182				
SM25#170060B2R	171,5	60,0	56,6	526	272	421	218				

Remote valve assembly – GVR

For more information on the choice of valves, see p. 310

	Code	Description	Finishes	Price (€)
	GVR#1 GVRTG#1...	RECESSED Valve that can be fitted with a thermostat and Lockshield assembly for REMOTE connection RECESSED thermostatic valve and Lockshield assembly for REMOTE connection*	Chromed Plated	
	GVRC#1... GVRTC#1...	RECESSED Valve that can be fitted with a thermostat and Lockshield assembly for REMOTE connection RECESSED thermostatic valve and Lockshield assembly for REMOTE connection*	Coloured Coloured	

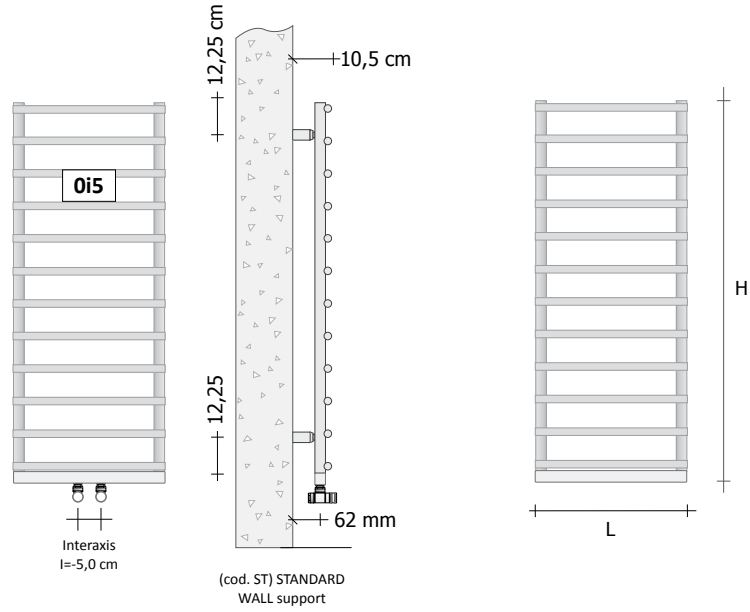
Plated finishes: See table of Tubes special finishes
 Colored Finishes: see categories C0, C1, C2 and C3 of the Tubes color chart
 * The price does not include the cost of the thermostatic head (see page 320)

IN THE PACK

The heated towel rails are supplied with their respective standard supports (code ST), that include the wall fixing shelves, pressure anchors and the respective vent valve, all included inside the pack and included in the price.



CONNECTOR AT 5 cm VERSION
(Connectors 0i5)



Standard convertible valves – Z1TLNR

For more information on the choice of valves, see p. 310

	Code	Description	Finishes	Price (€)
	Z1TLNR#ANR12...	Paired Valve + Lockshield - Copper angle 1/2" and/or Multi-layer 1/2"	Standard White Colour C1/C2/C3	
	Z1TLNRG#ANR12..	Paired Valve + Lockshield - Copper angle 1/2" and/or Multi-layer 1/2"	Glossy Chrome	
	Z1KITRAC#001	Union KIT with 6 pieces for Paired valves - 2 Z1RAC#R12CRO 12 mm copper system O-Rings - 2 Z1RAC#R14CRO 14 mm copper system O-Rings - 2 Z1AC#M03CRO Multi-layer 24x19x11.5/12-16x2/2.25 mm	Glossy Chrome	
	ZRCF3#9010	Couple pipe washer for Heated towel rail	Standard White	
	ZRCF3G#CRO	Couple pipe washer for Heated towel rail	Glossy Chrome	

Product code SM25I5#1200500I5ST9010

SM25I5#125050 Article code specified in the price table
 0I5 Connector code see technical datasheet
 ST Support code
 9010 Colour/finish code specified in the Official TUBES COLOUR CHART

ADDITIONAL COLOUR CHARGES

Finishes and Anodizing see page. 5 or the colour table provided at the end of this price list.

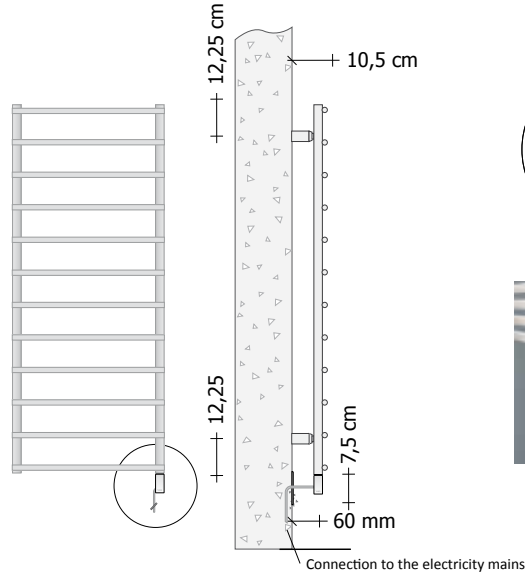
SM25I5#... hydraulic

Model	H (cm)	L (cm)	Interaxis (cm)	Heat output in Watts				Price Standard White Cat. C0 (€)	Price Category C1/C2 (€)	Price Category Cat. C3 (€)	Price Chrome G0 (€)
				COLOURED version		CHROMED version					
				ΔT. 50°C	ΔT. 30°C	ΔT. 50°C	ΔT. 30°C				
SM25I5#120040	123,5	40,0	5,0	247	128	198	102				
SM25I5#120050	123,5	50,0	5,0	309	160	247	128				
SM25I5#120060	123,5	60,0	5,0	371	192	297	154				
SM25I5#150040	154,5	40,0	5,0	308	160	246	128				
SM25I5#150050	154,5	50,0	5,0	387	200	310	160				
SM25I5#150060	154,5	60,0	5,0	464	240	371	192				
SM25I5#170040	175,5	40,0	5,0	349	181	279	145				
SM25I5#170050	175,5	50,0	5,0	438	227	350	182				
SM25I5#170060	175,5	60,0	5,0	526	272	421	218				

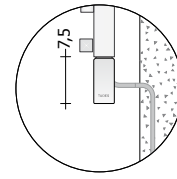
In the Chrome (Plated) Version, code SM25I5 becomes SM25I5G



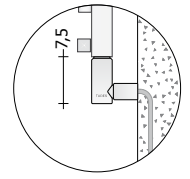
ELECTRIC VERSION WITH EDGE CAP
(Only available for the non EEC market and/or connected to a home automation system with characteristics complying with ECODesign regulations)



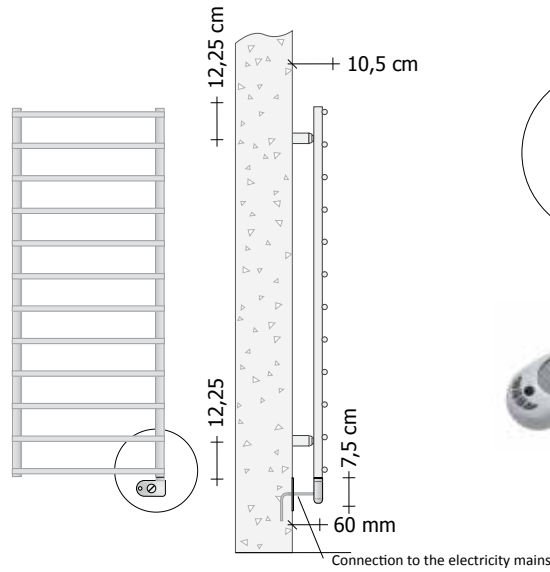
Connection to the electricity mains with Standard Edge Cap



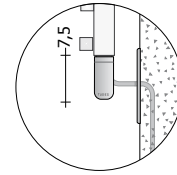
Connection to the electricity mains with DESIGN edge cap painted in the same colour (supplied with an extra charge)



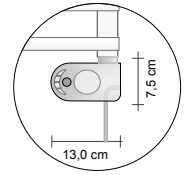
ELECTRIC VERSION WITH ECODesign THERMOSTAT



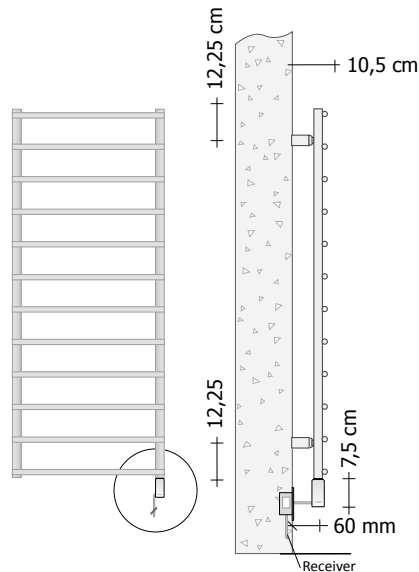
Connection to the electricity mains



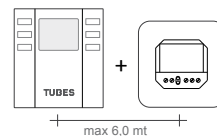
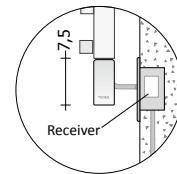
ECODesign Room Thermostat



ELECTRIC VERSION WITH WIRELESS ECODesign CONTROLS

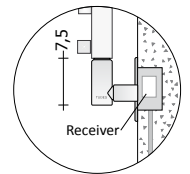


Wireless connection with Standard Edge Cap



Digital Chronothermostat (code ZRF007)

Wireless connection with DESIGN edge cap painted in the same colour (supplied with an extra charge)



ECODesign digital wireless chronothermostat + Receiver

Product code SM25ET#125050F5ST9010

SM25ET#125050 Article code specified in the price table
 F5 Heating element code
 ST Standard support code*
 9010 Colour/finish code specified in the Official TUBES COLOUR CHART
 * Special supports NOT available

ADDITIONAL COLOUR CHARGES

Finishes and Anodizing see page. 5 or the colour table provided at the end of this price list.

ELECTRIC VERSION WITH EDGE CAP

Only available for the extra EEC market and/or connected to a home automation system complying with ECODesign regulations

Model	Colour code of the edge cap			Code DESIGN* Edge Cap	H (cm)	L (cm)	Electrical Resistance (Watts)	Price Standard White Cat. C0 (€)	Price Category C1/C2 (€)	Price Category Cat. C3 (€)	Price Chrome G0 (€)
	White	Anthraxite Grey	Chrome								
SM25EL#120040	U5	V5	Z5	T5	119,5	40,0	200 W				
SM25EL#120050	U1	V1	Z1	T6	119,5	50,0	300 W				
SM25EL#120060	U6	V6	Z6	T7	119,5	60,0	400 W				
SM25EL#150040	U1	V1	Z1	T6	150,5	40,0	300 W				
SM25EL#150050	U6	V6	Z6	T7	150,5	50,0	400 W				
SM25EL#150060	U6	V6	Z6	T7	150,5	60,0	400 W				
SM25EL#170040	U6	V6	Z6	T7	171,5	40,0	400 W				
SM25EL#170050	U6	V6	Z6	T7	171,5	50,0	400 W				
SM25EL#170060	U2	V2	Z2	T8	171,5	60,0	600 W				

* The DESIGN EDGE CAP is produced in painted metal in the same Colour/Finish as the towel rail and it does not expose the heating element connection cable, this end piece is supplied upon request with an additional charge of

ELECTRIC VERSION WITH ECODesign ROOM THERMOSTAT

Model	Thermostat code					H (cm)	L (cm)	Electrical Resistance (Watts)	Price Standard White Cat. C0 (€)	Price Category C1/C2 (€)	Price Category Cat. C3 (€)	Price Chrome G0 (€)
	ROOM*			RADIATOR**								
	White	Chrome	Matt Black	White	Chrome							
SM25ET#120040	J5	J7	JN	N0	N9	119,5	40,0	200 W				
SM25ET#120050	F5	F7	JO	N1	N5	119,5	50,0	300 W				
SM25ET#120060	J6	J8	JP	NB	NA	119,5	60,0	400 W				
SM25ET#150040	F5	F7	JO	N1	N5	150,5	40,0	300 W				
SM25ET#150050	J6	J8	JP	NB	NA	150,5	50,0	400 W				
SM25ET#150060	J6	J8	JP	NB	NA	150,5	60,0	400 W				
SM25ET#170040	J6	J8	JP	NB	NA	171,5	40,0	400 W				
SM25ET#170050	J6	J8	JP	NB	NA	171,5	50,0	400 W				
SM25ET#170060	G5	G7	JQ	N2	N6	171,5	60,0	600 W				

* In addition to the White finish, the ROOM thermostat is available in the CHROME finish and in the new MATT BLACK finish with an extra charge of

** The RADIATOR thermostat is not ECODesign

ELECTRIC VERSION WITH WIRELESS ECODesign CONTROLS

The electric version with WIRELESS control includes the digital Chronothermostat Kit

Model	Colour code of the edge cap			Code DESIGN* Edge Cap	Adjustment code WIRELESS THERMOSTAT	H (cm)	L (cm)	Electrical Resistance (Watts)	Price Standard White Cat. C0 (€)	Price Category C1/C2 (€)	Price Category Cat. C3 (€)	Price Chrome G0 (€)
	White	Anthraxite Grey	Chrome									
SM25EW#120040	U5	V5	Z5	T5	ZRF007	119,5	40,0	200 W				
SM25EW#120050	U1	V1	Z1	T6	ZRF007	119,5	50,0	300 W				
SM25EW#120060	U6	V6	Z6	T7	ZRF007	119,5	60,0	400 W				
SM25EW#150040	U1	V1	Z1	T6	ZRF007	150,5	40,0	300 W				
SM25EW#150050	U6	V6	Z6	T7	ZRF007	150,5	50,0	400 W				
SM25EW#150060	U6	V6	Z6	T7	ZRF007	150,5	60,0	400 W				
SM25EW#170040	U6	V6	Z6	T7	ZRF007	171,5	40,0	400 W				
SM25EW#170050	U6	V6	Z6	T7	ZRF007	171,5	50,0	400 W				
SM25EW#170060	U2	V2	Z2	T8	ZRF007	171,5	60,0	600 W				

* The DESIGN EDGE CAP is produced in painted metal in the same Colour/Finish as the towel rail and it does not expose the heating element connection cable, this end piece is supplied upon request with an additional charge of